

Operator's Manual

Model SM4020 20 Channels Relay Multiplexer

Model SM4022 20 Channels Instrumentation Relay Multiplexer

Model SM4040 40 Channels Relay Multiplexer

Model SM4042 40 Channels Instrumentation Relay Multiplexer

Signametrics Corporation

March, 2006

CAUTION

In no event shall Signametrics or its Representatives be liable for any consequential damages whatsoever (including, without limitation, damages for loss of business profits, business interruption, loss of business information, or other loss) arising out of the use of or inability to use Signametrics' products, even if Signametrics has been advised of the possibility of such damages. Because some states do not allow the exclusion or limitation of liability for consequential damages, the above limitations may not apply to you.

© 2000 Signametrics Corp. Printed in the USA. All rights reserved. Contents of this publication must not be reproduced in any form without the permission of Signametrics Corporation.

TABLE OF CONTENTS

1.0 INTRODUCTION	5
1.1 SAFETY CONSIDERATIONS	5
1.2 MINIMUM REQUIREMENTS	5
1.3 DESCRIPTION	6
1.4 CONFIGURATIONS	7
1.5 SELF TEST AND CONTACT CLEANING	7
2.0 SPECIFICATIONS AND FEATURE TABLE	8
2.1 TRIGGER INPUT	8
2.2 TRIGGER OUTPUT	9
2.3 OTHER SPECIFICATIONS	9
3.0 GETTING STARTED	9
3.1 SETTING THE SCANNER	9
3.2 INSTALLING THE SOFTWARE	10
3.3 INSTALLING THE SCANNER MODULE	10
3.4 SCANNER CONNECTOR PIN-OUT	10
3.5 STARTING THE CONTROL PANEL	13
3.6 USING THE CONTROL PANEL	14
4.0 SCANNER TUTORIAL	15
4.1 SCANNER CONFIGURATIONS	15
4.1.1 <i>Two Wire Multiplexing</i>	16
4.1.2 <i>Four Wire Multiplexing</i>	16
4.1.3 <i>Six Wire Multiplexing</i>	17
4.1.4 <i>Two Groups Configuration</i>	17
4.1.5 <i>Four Groups Configuration</i>	18
4.1.6 <i>Disabled</i>	18
4.2 SCANNER OPERATIONS	18
4.2.1 <i>Trigger Output</i>	18
4.2.2 <i>Trigger Input</i>	19
4.2.3 <i>Auto Scan Operation</i>	19
4.2.4 <i>Triggered Auto Scan Operation</i>	19
4.2.5 <i>Triggered Scan Operation</i>	20
4.2.6 <i>Single Step Scan Operation</i>	20
4.2.7 <i>Scan List Operations</i>	21
4.2.8 <i>Locating Shorted Channel</i>	21
4.2.9 <i>Cleaning Relays Contacts</i>	22
4.2.10 <i>Integrity Test</i>	22
4.2.11 <i>Self Tests</i>	22
4.2.12 <i>Setting Actuation Time Parameter</i>	22
4.2.13 <i>Setting Step Time Parameter</i>	23
4.2.14 <i>Thermocouple Temperature Measurements</i>	23
4.3 POLLED TYPE OPERATIONS	23
4.4 INTERFACING TO THE SM2040 SERIES 6-1/2 DIGIT DMM	24
4.4.1 <i>Triggering the SM2040 DMMs</i>	24
4.4.2 <i>Multiplexing with the SM2040 DMMs</i>	24
4.4.3 <i>Interface Commands and Timing</i>	24
4.5 SINGLE ENDED APPLICATION EXAMPLE	25
4.5.1 <i>Point to Point Configuration</i>	25
4.5.2 <i>An 84 Point, Single End Configuration</i>	26
5.0 SM4040 SCANNER FAMILY WINDOWS INTERFACE	26
5.1 DISTRIBUTION FILES	26

5.2 USING THE SM4040 DRIVER WITH C++ OR SIMILAR SOFTWARE	27
5.2.1 Multiple Card Operations under Windows	28
5.3 VISUAL BASIC FRONT PANEL APPLICATION	29
5.3.1 Visual Basic Simple Application	29
5.4 WINDOWS DLL DEFAULT MODES AND PARAMETERS	30
5.5 USING THE SM4040 DLL WITH LABWINDOWS/CVI®	31
5.6 WINDOWS COMMAND LANGUAGE	31
SCANAbort.....	31
SCANAutoScan	32
SCANCleanRelays.....	33
SCANClosePCI	34
SCANDelay	34
SCANErrString	35
SCANGetActuationTime	36
SCANGetBusInfo.....	36
SCANGetConfig	37
SCANGetGrdVer.....	37
SCANGetHwVer.....	38
SCANGetID.....	38
SCANGetManDate	39
SCANGetScanList	39
SCANGetShortedChannel	40
SCANGetStepTime	40
SCANGetTriggerIn	41
SCANGetType	41
SCANGetVer	42
SCANInit	42
SCANIsInitialized.....	43
SCANOpenAllChannels	43
SCANOpenPCI.....	44
SCANReady.....	44
SCANSelectChannel.....	45
SCANSelectChannelCmd	46
SCANSetActuationTime	46
SCANSetChannelRelay	47
SCANSetConfig.....	48
SCANSetConfigRelay.....	48
SCANSetScanList	49
SCANSetStepTime	50
SCANSetTriggerOut.....	50
SCANSetupStep.....	51
SCANStep.....	51
SCANStepCmd	52
SCANTerminate	53
SCANTestChanIntegrity.....	53
SCANTestChannelRelay	54
SCANTestConfigRelay	54
SCANTrigAutoScan.....	55
SCANTriggerInState	56
SCANTriggerOutState.....	56
SCANTrigScan	57
6.0 ACCESSORIES.....	59
7.0 WARRANTY AND SERVICE.....	59

1.0 Introduction

Congratulations! You have purchased a Personal Computer (PC) Plug-in instrument with analog and systems performance that rivals the best, all-in-one box, instruments. The SM4040 series relay scanner/multiplexer are easy to setup and use, have sophisticated analog and digital circuitry to provide very repeatable switching. Please take a few moments and review this manual before installing and using this instrument.

This manual describes the SM4020, SM4022, SM4040, and SM4042 Scanners. Each delivers unmatched switching performance in a PCI plug-in instrument. With a rich repertoire of functions, the SM4040 series out performs all other plug-in Scanners, including most brand-name bench top units.

Note: In this manual, all references to the "SM4000" and "Scanner" applies to the SM4020, SM4022, SM4040, and SM4042. Features unique to each product will be identified as such.

1.1 Safety Considerations

Safety Considerations

The SM4000 series of Scanners are capable of switching 110 VDC or 220, depending on model number, across the High and Low terminals. They can also handle common mode signals that "float" the Scanner above EARTH ground by up to 110 VDC or 220 VAC, depending on the model. When making common mode switching, the majority of the circuits inside the Scanner are at the common mode voltage. **These voltages can be lethal and may KILL! During and after installing your Scanner, check to see that there are no wires or ribbon cables from your PC trapped inside the Scanner.**

The Scanner comes installed with four shields (bottom, top, and two edge strips) that **must not be removed for performance as well as safety reasons.** Removal of these shields and/or improper assembly of the shields can result in lethal voltages occurring within your PC. Be sure to check your installation before closing the cover on your personal computer.

Warning

Check to see that no loose wires or ribbon cables infringe upon any of the internal circuits of the Scanner, as this may apply lethal voltages to your computer, causing electrocution and/or damage to your computer!

To avoid shock hazard, install the Scanner only into a computer that has its power connector connected to a power receptacle with an earth safety ground.

When connecting to signals above 50 VDC or 40 VAC, only use Safety Test Leads and harnesses.

1.2 Minimum Requirements

The SM4040 series of system relays Scanners are plug-in modules that are compatible with IBM type personal computers (PCs), from the 486 class to the Pentiums. They require a half-length expansion slot on the PCI bus. A mouse must be installed when controlling the Scanner from the Windows Control Panel. The SM4040 comes with a Windows' DLL, for operation with Windows' Version 95/98 and NT4.0, Windows 2000 or greater.

1.3 Description

The SM4020 and SM4022 are 20 channel models arranged in two groups of 10:1 differential channels. The SM4040 and SM4042 are 40 channel models arranged in four groups of 10:1 differential channels. The “2” suffix indicates an instrumentation quality scanning structure, while the “0” indicates standard general purpose scanning structure. The Instrumentation models are necessary in applications requiring precision and low leakage. The most outstanding feature of the Instrumentation models is a very low Thermal EMF, resulting in highly accurate Ohms, low Voltage, temperature and other sensitive stimulus and measurements. The standard scanners in this family, the SM4020 and SM4040, exhibit much lower Thermal EMF than most other plug-in relay scanners.

When using an SM2020 or an SM2040 series 5-1/2 and 6-1/2 DMMs, or similar DMM, it is necessary to use the Instrumentation quality scanners in order to maintain full measurement accuracy.

These scanners are software configurable on the fly, and can handle several pre-defined switching configurations, such as *TwoWire*, *FourWire*, *SixWire*, *Universal*, *TwoGroups*, *FourGroups*, and *Disabled*. In the *TwoWire* configuration, the scanner acts like a 20 or 40 channel multiplexer. In the *FourWire* configuration, it automatically selects two simultaneous channels, allowing a DMM or other device to connect to four individual lines. In the *SixWire* configuration six wires, or three differential channels are selected automatically, providing such applications as six wire guarded in circuit measurements. The *Universal* configuration turns the scanner into a pseudo matrix structure, allowing any relay, including channel relays, tree relays and configuration relays, to be closed or open, including multiple relays. The *TwoGroups* and *FourGroups* configurations split the Scanner into several independent Two-Wire multiplexers.

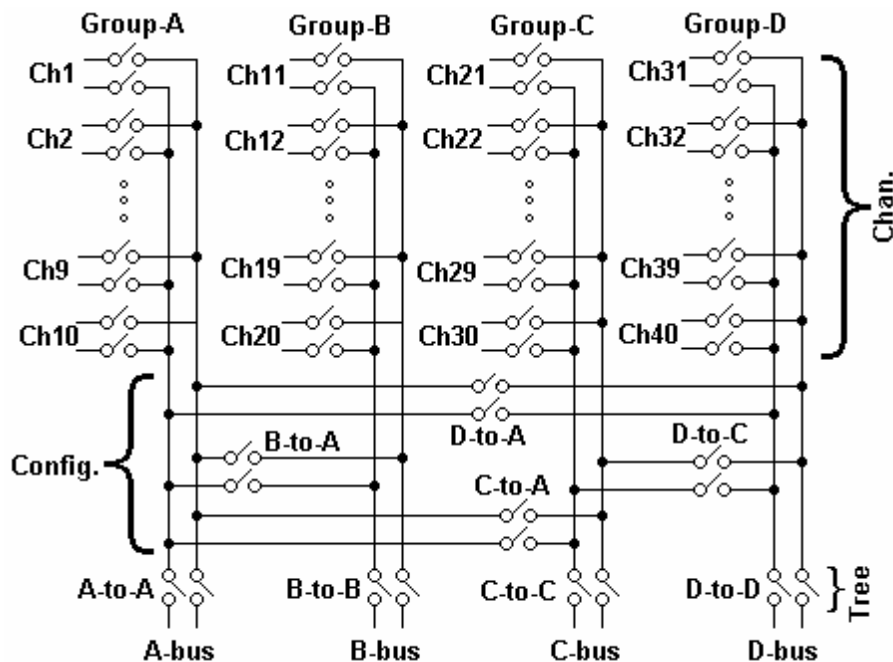


Figure 1-1. Simplified diagram of the SM4000 relay scanner.

In the *TwoWire*, *FourWire*, *SixWire*, *TwoGroups*, and *FourGroups* configuration, the switching sequence includes the opening of the previously closed channels and then closing of the selected channels. In the case where multiple channels are supposed to be closed, such as in *FourWire* configuration, these channels are closed simultaneously so that no additional time beyond the actuation time is consumed. Break-before-make operation is maintained due to a high speed turns off circuit, which shuts off the active coil current very quickly as compared to the turn on time.

1.4 Configurations

In addition to the channel switching relays, the SM4000 series includes two sets of relays used for configuring of the scanner. The configuration switches facilitate inter-group connections and the Tree relays provide isolation of each of the group's buses from their respective channel relays. These relays are automatically switched on the fly when the scanner receives configuration commands or changes are required while selecting channels from various groups. In cases where the pre-defined configurations (*TwoWire*, *FourWire*, *SixWire*, *TwoGroups*, and *FourGroups*) do not meet the test needs, select the *Universal* configuration. It allows an unlimited control any of the configuration and tree relays independently. Care must be taken however, since it does not offer the protection of the predefined configurations. This could result in shorting some "hot" lines, constituting in potential hazard to the user from any thing that is connected to the scanner and from the scanner itself. This could also lead to damaging the scanner or anything connected to it.

1.5 Self Test and Contact Cleaning

In addition to the channel relays, Tree relays and Configuration relays, there are additional relays and circuit components that handle the various tests built into the Scanners. The user does not have direct control of these components.

The test connector is used in various self tests and cleaning operations of the Scanner. It is a Female DIN 96 position connector which has 40 shorts across all Channels (Ch1Hi shorted to Ch1Lo etc.), and three shorts across the B-Bus, C-Bus and D-Bus. All other terminals, including the A-Bus must be left open. This Test Connector is optionally available from Signametrics.

2.0 Specifications and Feature Table

Function	SM4020 Standard Scanner	SM4022 Instrumentation Scanner	SM4040 Standard Scanner	SM4042 Instrumentation Scanner
Number of differential channels	20	40	20	40
Number of 10:1 groups	two	four	two	four
Scanning Arrangement	Two groups of 10:1 differential		Four groups of 10:1 differential	
Thermal EMF offset (μV)	25	1.5	25	1.5
Maximum Switching DC Voltage (V)	110	220	110	220
Maximum Switching AC Voltage (V)	110	250	110	250
Maximum Switching Current (A)	1	1	1	1
Maximum Switching Current (A)	1	1	1	1
Typical inter-channel Capacitance	15pf	15pf	15pf	15pf
Insulation between open contacts ($\text{M}\Omega$,)	>100	>1,000	>100	>1,000
Insulation; contacts to coils ($\text{M}\Omega$)	>100	>1,000	>100	>1,000
Insulation; adjacent channels ($\text{M}\Omega$)	>100	>1,000	>100	>1,000
No Load Life	2×10^7	10^8	2×10^7	10^8
Loaded Life @ 50Vdc, 0.1A	3×10^5	10^6	3×10^5	10^6
Trigger input	√	√	√	√
Trigger output	√	√	√	√
Thermocouple Cold Junction Capable		√		√
Typical Closure Time (ms)	12	4	12	4
Typical Release Time (ms)	5	2	5	2
Actuation Time (ms) [1]	15	5	15	5
Actuation Time Settable Range (ms)	1 to 850 in 0.25 steps			
AutoScan Period Range (ms)	1 to 850 in 0.25 steps			
Available Configurations	2-wire, 4-wire, universal, two- groups	2-wire, 4-wire, 6- wire, universal, two-groups, four- groups	2-wire, 4-wire, universal, two- groups	2-wire, 4-wire, 6- wire, universal, two-groups, four- groups
Available Scan Groups	A and B	A, B, C and D	A and B	A, B, C and D
Isolated Relay Coil Drive		√		√
Maximum number of relays closed	All	All	All	40
High Ohms range 1,000 Meg				√

[1] Actuation time is the time it takes to open any closed relays, and close the selected relay.

Table 2-1. Specifications and Feature table.

2.1 Trigger Input

Input Characteristics

- **Input LED** (nominal 1.7V drop at 1mA) with a series 1k Ω resistor.
- **Input Signal requirements** >2.5 V, < 10 V to activate. < 1V to deactivate.
- **Isolation** Optically Isolated from all other circuitry. Common line with Trigger Output.

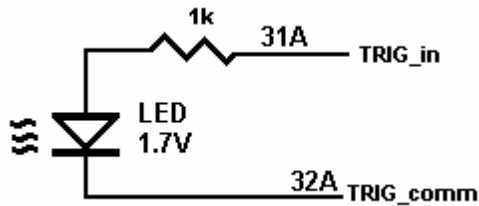


Figure 2-1. Trigger input equivalent circuit.

2.2 Trigger Output

Output Characteristics

- **Output Circuit** Open collector of a NPN transistor (nominal 0.4V saturation voltage) in series with 1k Ω resistor.
- **Collector Emitter Voltage** < 30 V
- **Output Current** < 4 mA
- **Reverse Voltage** < 7V
- **Isolation** Optically Isolated from all other circuitry. Common line with Trigger Input.

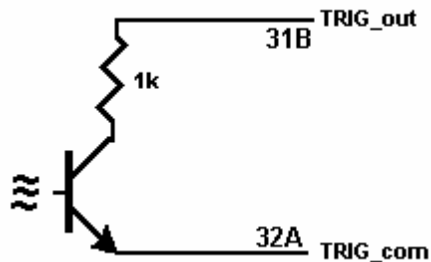


Figure 2-2. Trigger Output Optical Isolator NPN circuit.

2.3 Other Specifications

Hardware Interface	PCI Bus
Safety	Designed to IEC 1010-1, Installation Category I.
Temperature Range	0°C to 50°C, operating
Size	9.2" X 4.4"
Power	+5 volts, 550 mA maximum

Note: Signametrics reserves the right to make changes in materials, specifications, product functionality, or accessories without notice.

3.0 Getting Started

After unpacking the Scanner, please inspect for any shipping damage that may have occurred, and report any claims to your transportation carrier.

The Scanner package is shipped with the Scanner module, four floppy disks containing software drivers, user interface panel, and this Operator's manual.

3.1 Setting the Scanner

The SM4040 series Relay Scanners are PCI plug-and-play devices and do not require any switch settings, or any other adjustments to the hardware prior to installation.

3.2 Installing the Software

It is best to first plug the Relay Scanner into the PC chassis, and follow the instructions on the screen for 'New Hardware Found'. . The first time you power up your computer with the Scanner installed, your computer will detect the new Scanner and prompt you for a driver. The driver your computer requires is on Disk 1 (SM4040.inf). Guide the computer to search for device driver on Disk1. Next run 'setup' provided in Disk1.

After the computer completes its boot process run the 'SETUP' program provided on Disk 1, to install the software. This takes care of all installation and registration requirements of the software.

3.3 Installing the Scanner Module

Warning

To avoid shock hazard, install the Scanner only into a personal computer that has its power line connector connected to an AC receptacle with an Earth Safety ground.

After installation, check to see that no loose wires or ribbon cables infringe upon any of the internal circuits of the Scanner, as this may apply measurement voltages to your computer, causing personal injury and/or damage to your computer!

Caution: Only install the Scanner module with the power turned OFF to the PC!

Use extreme care when plugging the Scanner module(s) into a PCI bus slot. The Scanner comes a DIN 96 pin connector. Because of its necessary size, it is a tight fit in many PC chassis. Insert the bracket end of the Scanner into your PC first, watching for any interference between the DIN 96 connector and your PC chassis. "Sliding" the bracket end of the Scanner into the chassis may be helpful. **Be patient! You should only have to install it once!**

3.4 Scanner Connector Pin-out

Before using the Scanner, please take a few moments and review this section to understand where the multiplexed and common signals are located in the DIN 96 position male connector are located. **Under no circumstances should voltage and current limits exceed the specified values, as personal injury or damage to the instrument, your computer or application may result.**

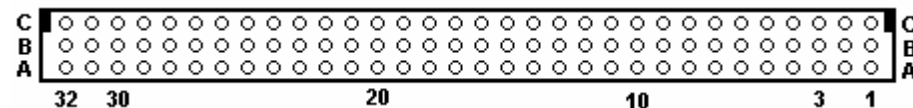


Figure 3-1. The Scanner's DIN 96 connector, facing the bracket.

Pin #	Label	Description	Pin #	Label	Description
1C	Ch11Hi	Channel 11 High	17C	Ch31Hi	Channel 31 High

1B	Ch10Hi	Channel 10 High	17B	Ch25Lo	Channel 25 Low
1A	Ch17Lo	Channel 17 Low	17A	Ch26Lo	Channel 26 Low
2C	Ch18Lo	Channel 18 High	18C	Ch31Lo	Channel 31 Low
2B	Ch1Hi	Channel 1 High	18B	Ch27Hi	Channel 27 High
2A	Ch2Hi	Channel 2 High	18A	Ch27Lo	Channel 27 Low
3C	Ch18Hi	Channel 18 High	19C	Ch33Hi	Channel 33 High
3B	Ch4Lo	Channel 4 Low	19B	Ch28Hi	Channel 28 High
3A	Ch2Lo	Channel 2 Low	19A	Ch15Lo	Channel 15 Low
4C	Ch19Hi	Channel 19 High	20C	Ch33Lo	Channel 33 Low
4B	Ch1Lo	Channel 1 Low	20B	Ch17Hi	Channel 17 High
4A	Ch6Lo	Channel 6 Low	20A	Ch29Hi	Channel 29 High
5C	Ch19Lo	Channel 19 Low	21C	Ch36Lo	Channel 36 Low
5B	Ch4Hi	Channel 4 High	21B	Ch28Lo	Channel 28 Low
5A	Ch11Lo	Channel 11 Low	21A	Ch29Lo	Channel 29 Low
6C	Ch5Hi	Channel 5 High	22C	Ch39Lo	Channel 39 Low
6B	Ch8Hi	Channel 8 High	22B	Ch30Hi	Channel 30 High
6A	Ch7Lo	Channel 7 Low	22A	Ch30Lo	Channel 30 Low
7C	Ch16Lo	Channel 16 Low	23C	Ch37Hi	Channel 37 High
7B	Ch12Hi	Channel 12 High	23B	Ch32Hi	Channel 32 High
7A	Ch7Hi	Channel 7 High	23A	Ch35Hi	Channel 35 High
8C	Ch12Lo	Channel 12 Low	24C	Ch38Hi	Channel 38 High
8B	Ch9Lo	Channel 9 Low	24B	Ch32Lo	Channel 32 Low
8A	Ch13Hi	Channel 13 High	24A	Ch34Lo	Channel 34 Low
9C	Ch5Lo	Channel 5 Low	25C	Ch40Hi	Channel 40 High
9B	Ch13Lo	Channel 13 Low	25B	Ch37Lo	Channel 37 Low
9A	Ch14Hi	Channel 14 High	25A	Ch34Hi	Channel 34 High
10C	Ch3Hi	Channel 3 High	26C	Ch38Lo	Channel 38 Low
10B	Ch8Lo	Channel 8 Low	26B	Ch35Lo	Channel 35 Low
10A	Ch9Hi	Channel 9 High	26A	Ch36Hi	Channel 36 High
11C	Ch6Hi	Channel 6 High	27C	Ch39Hi	Channel 39 High
11B	Ch10Lo	Channel 10 Low	27B	Ch40Lo	Channel 40 Low [1]
11A	Ch15Hi	Channel 15 High	27A		
12C	Ch20Hi	Channel 20 High	28C		
12B	Ch16Hi	Channel 16 High	28B		
12A	Ch14Lo	Channel 14 Low	28A	BHi	B-Bus High
13C	Ch21Lo	Channel 21 Low	29C	BLo	B-Bus Low
13B	Ch22Hi	Channel 22 High	29B	CHi	C-Bus High
13A	Ch21Hi	Channel 21 High	29A	DHi	D-Bus High [1]
14C	Ch20Lo	Channel 20 Low	30C	CLo	C-Bus Low
14B	Ch23Hi	Channel 23 High	30B	AHi	A-Bus High
14A	Ch23Lo	Channel 23 Low	30A	ALo	A-Bus Low
15C	Ch24Hi	Channel 24 High	31C	DLo	D-Bus Low [1]
15B	Ch22Lo	Channel 22 Low	31B	TRIG_out	Trigger open collector out.
15A	Ch24Lo	Channel 24 Low	31A	TRIG_in	Trigger TTL input
16C	Ch26Hi	Channel 26 High	32C	+5V	+5V special supply
16B	Ch3Lo	Channel 3 Low	32B	Common	Return for +5V supply
16A	Ch25Hi	Channel 25 High	32A	TRIG_com	Trig. input and output comn

[1] D-Bus is not available when using an Isothermal Terminal Block.

Table 3-1. The Scanner's DIN 96 connector pin assignments.

ChxHi, ChxLo - These are the channel positive and negative terminals for all group channels, respectively. It starts with Ch1Hi/Lo and ends with Ch20Hi/Lo with the 20 Channel scanners and Ch40Hi/Lo for the 40 Channel models. Depending on the Scanner configuration, these lines are routed to the bus terminals AHi/Lo, BHi/Lo, CHi/Lo, or DHi/Lo.

AHi, ALo - These are the A-bus positive and negative terminals respectively. The channels positive and negative lines may be routed to these lines depending on Scanner configuration. In the Universal mode, it is also possible to route bus pairs to other bus pairs.

BHi, BLo - These are the B-bus positive and negative terminals respectively. The channels positive and negative lines may be routed to these lines depending on Scanner configuration. In the Universal mode, it is also possible to route bus pairs to other bus pairs.

CHi, CLo - These are the C-bus positive and negative terminals respectively. The channels positive and negative lines may be routed to these lines depending on Scanner configuration. In the Universal mode, it is also possible to route bus pairs to other bus pairs.

DHi, DLo - These are the D-bus positive and negative terminals respectively. The channel positive and negative lines may be routed to these lines depending on Scanner configuration. In the Universal mode, it is also possible to route bus pairs to other bus pairs. It is important to note that when using the Isothermal Block the DHi and DLo terminals should not be used, and a configuration involving them should not be selected. Therefore configurations such as *FourGroups* or *SixWire* should not be selected, and when selecting *Universal* configuration, care must be taken not to include these terminals.

TRIG_com - This is the **TRIG_in** and **TRIG_out** return terminal. Both of these signals are referenced to it. All three signals associated with the trigger circuitry, **TRIG_com**, **TRIG_in**, and **TRIG_out** are optically isolated from the rest of the terminals in the DIN 96 connector.

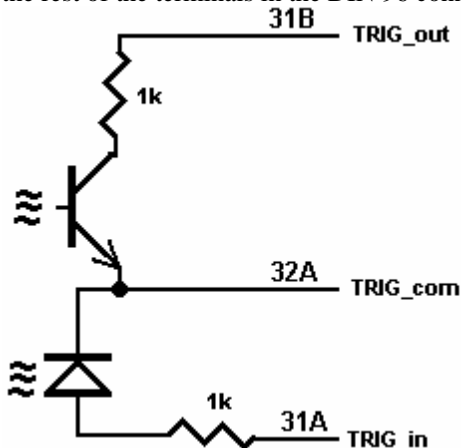


Figure 3-2. The trigger input and output lines are isolated by an optical isolators.

TRIG_in - This is the trigger input signal. It requires TTL or CMOS level (at least 2.5V) to activate the trigger input. A series 1k removes the need to add external resistor and allows direct connection to a TTL or CMOS logic source. It is referenced to the **TRIG_com** line.

TRIG_out - This is the trigger output signal. It is an open collector signal with 1k resistor in series. It will drive a CMOS or TTL line provided it is connected to an appropriate positive supply (from 3V to 10V). It is referenced to the **TRIG_com** line.

+5V - This is a 5V supply line. It is designed to support the optional active Isothermal Block. It may also be used to power the **TRIG_out** signal. When using it to power **TRIG_out**, it is recommended that a 10k be connected from **TRIG_out** to it as in Figure 3-3. This supply may vary between 4.7V to 5.7V, and its usage should be limited to no more than 10mA. This supply is isolated from the rest of the signals in the DIN 96 connector. This signal is referenced to the **Common** line.

Common - This is the return line for the +5V supply. Since **TRIG_com** and **Common** are isolated from each other, they must be connected as in Figure 3-3 if the +5V is used to power **TRIG_com**. This supply return is isolated from the rest of the signals in the DIN 96 connector.

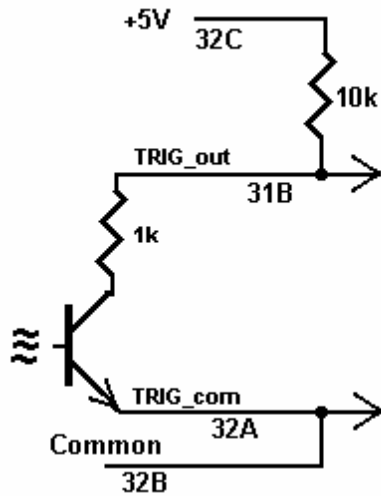


Figure 3-3. Trigger out may use the +5V supply provided for generating CMOS logic output.

3.5 Starting the Control Panel

After installing the software, you can verify the installation and gain familiarity with the Scanner by exercising its measurement functions using the Windows based Control Panel. To run the control panel, double click the 'SM4040.EXE' icon. If you do not hear the relays click, you may have an installation error.

The Control Panel is operated with a mouse. All functions are accessed using the left mouse button.

Note: The SM4000 front panel powers up in Disabled mode, with all relays open.

3.6 Using the Control Panel

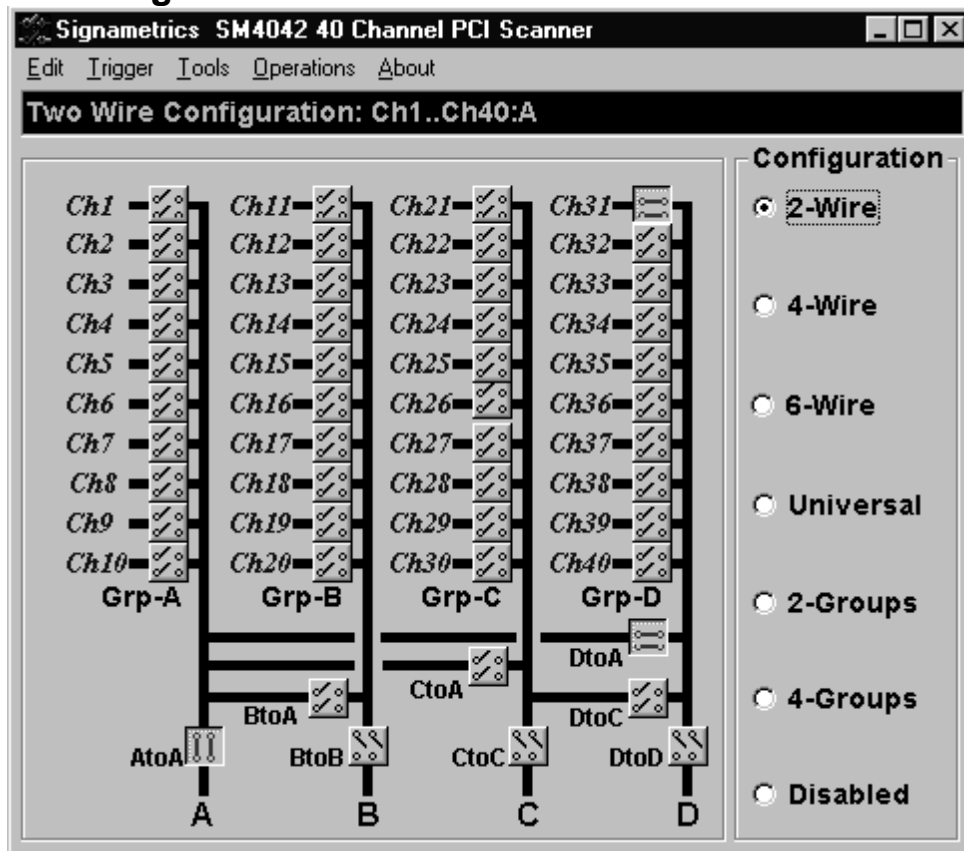
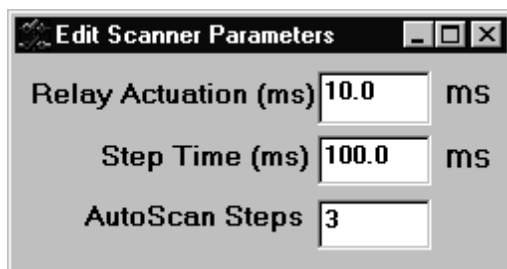


Figure 3-2. The Control Panel for the SM4040. The three main groups include the relays buttons, the configuration selection options, and the main menu.

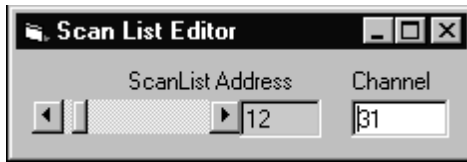
Note: All of the controls described below correspond to their respective software function, which can be invoked within your control software or as objects in a visual programming environment. Using the software command language of the SM4000 allows additional capabilities and functions that are not included in the control panel above.

Relay Buttons - These buttons are context sensitive. Depending on the selected Configuration, these buttons allow the closing and opening of the various channel relays. In the *Universal* configuration, the user has control over all relays. In the *FourWire* and *SixWire* configurations, two and three relays are activated simultaneously. In the *TwoWire*, *FourWire*, *SixWire*, *TwoGroups* and *FourGroups* function switches between DC and AC.

Edit Scanner Parameters - This panel provides means to enter the Relay Actuation time and the Step Times, as well as the total number of steps in an AutoScan.



ScanList Editor - This panel provides means to edit the contents of the ScanList.



Configuration Option Checks - This section of the main panel allows the selection of one out of all of the possible pre defined configurations. On power up, the configuration is set to *Disabled*. Possible selections include *Disabled*, *TwoWire*, *FourWire*, *SixWire*, *Universal*, *TwoGroups*, and *FourGroups*.

Edit Menu - This menu item has three selections, setting all parameters to their default value, opening the Edit Scanner Parameter sub-panel, and opening the Scan List Editor sub-panels.

Trigger Menu - This menu item controls the functionality of the scanner's trigger input and output signals. It enables or disabled the Trigger output, and sets the polarity of both Trigger input and output.

Tools Menu - This menu item provides access to some of the special test and cleaning tools. It includes the Self-Cleaning function, the various self-tests, and the shorted input detector.

Operations Menu - This menu item allows running some of the special scanner's operations such as AutoScan, Triggered Scan, Triggered Auto Scan, and the setting and monitoring of the Trigger output and trigger input respectively.

4.0 Scanner Tutorial

Most of the SM4000 functions are accessible from the control panel described in the previous section. This section describes in detail the Scanner's operations and practices. To gain familiarity with the SM4000 series Scanners, run the Windows 'SETUP.EXE' to install the software, then run the Scanner control panel to demonstrate its operations.

4.1 Scanner Configurations

The various configurations maybe experimented with using the control panel. Connect to the Scanner's terminals to the appropriate channels and bus lines, making sure not to exceed any of the specifications and limits. Use the control panel's option checks to select the desired operation mode, and the switch buttons to close or open the appropriate channels.

There is a special function, included in the DLL, which sets the Scanner configuration on the fly. It is `SCANSetConfig()`. The amount of time it takes to set a new configuration is the same as the set Actuation time. It is important to note that the Scanner can function as a multiplexer, or as an uncommitted matrix switch. In the *TwoWire*, *FourWire*, *SixWire*, *TwoGroups*, and *FourGroups* configurations the Scanner acts as a multiplexer. This means that when a channel is selected, all other channels in the group are opened prior to closing the selected channel. For instance, the SM4042 in *FourWire* configuration, with Ch1 and Ch21 closed, will respond to 'select Ch2' command by first opening Ch1 and Ch21, then it will close Ch2 and Ch22. All this will be done within the specified actuation time.

4.1.1 Two Wire Multiplexing

In the *TwoWire* multiplexed configuration, the SM4000 family first opens all channels, then it connects the Hi and Lo terminals of the selected channel, to the Hi and Lo terminals of the A-bus. The SM4020 and SM4022 route Ch1 through Ch20, and the SM2040 and SM2042 can route Ch1 to Ch40 to the A-bus. Selecting Ch1 will result in Ch1Hi connected to A-bus Hi and Ch1Lo connected to A-bus Lo.

When making very low level DCV measurements (<1 mV), you should use copper wires. A common source of error can come from your test leads, which can introduce tens or hundreds of μ Volts of error due to thermal voltages (Thermal EMF or TEMF). To minimize thermo-voltaic effects, after handling the test leads, wait a while for lead and terminal temperatures to equalize before attempting to make measurements. Signametrics offers several high quality probes that are optimal for low level measurements. It is essential to select the right scanner for the job. Make sure the relay scanner selected has sufficiently low thermal EMF (offset) specification. The SM4022 and SM4042 are the best choices for low level voltage measurements, as well as for Ohms and temperature. It is not unusual to find scanners with very high thermal voltages. The following table quantifies the effect of Thermal TEMF on Ohms measurement in a typical DMM such as the SM2042. This holds for both, 2-Wire and 4-Wire Ohms measurement:

SM2042 Range	Ohms Current	DMM Resolution	Error due to 1uV TEMF	Error due to 10uV TEMF	Error due to 100uV TEMF
33 Ω	10 mA	10 $\mu\Omega$	100 $\mu\Omega$	1 m Ω	10 m Ω
330 Ω	1 mA	100 $\mu\Omega$	1 m Ω	10 m Ω	100 m Ω
3.3 k Ω	1 mA	1 m Ω	1 m Ω	10 m Ω	100 m Ω
33 k Ω	100 μ A	10 m Ω	10 m Ω	100 m Ω	1 Ω
330 k Ω	10 μ A	100 m Ω	100 m Ω	1 Ω	10 Ω
3.3 M Ω	1 μ A	1 Ω	1 Ω	10 Ω	100 Ω
33 M Ω	100 nA	100 Ω	10 Ω	100 Ω	1 k Ω

Table 4-1. The Scanner thermal EMF affect on Ohms measurement accuracy.

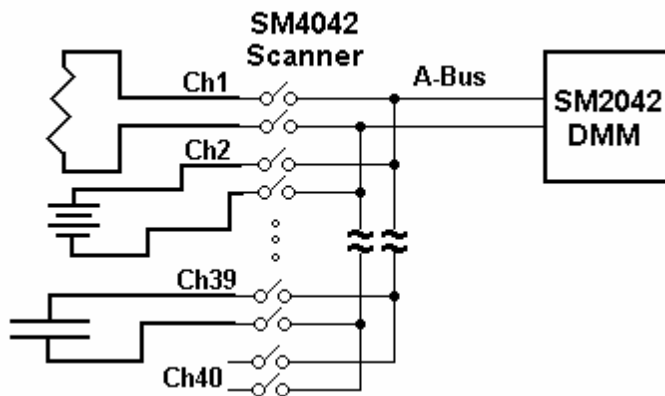


Figure 4-1. 40 Channel 2-Wire measurement application.

4.1.2 Four Wire Multiplexing

In the *FourWire* configuration, the SM4000 family connects simultaneously two channels. The SM4020 and SM4022 route Ch1 through Ch10 to the A-bus, and the corresponding channels, Ch11 through Ch20, to the B-bus. The SM4040 and SM4042 route Ch1 through Ch20 to the A-bus, and the corresponding channels, Ch21 through Ch40 to the C-bus. To measure a resistor using Kelvin connection, the A-bus can be connected to the DMM source leads and the B-bus to the sense leads. Make sure the polarity of the lines is consistent.

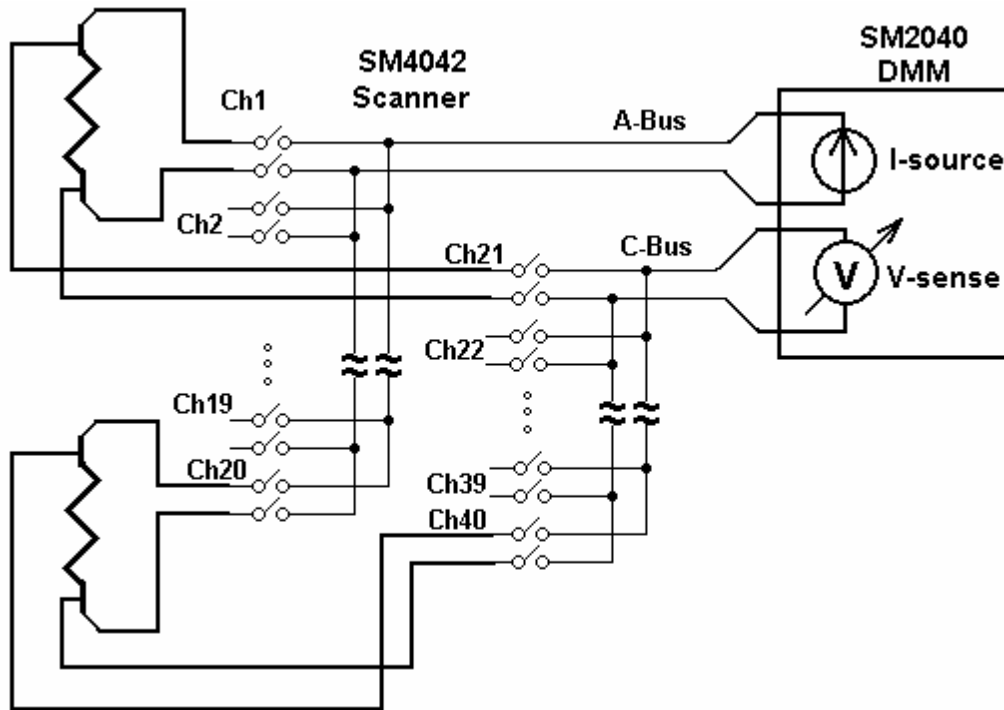


Figure 4-2. To perform 4-Wire resistance measurement with the SM4042, connect Ch1 and Ch21 to a resistor, maintaining correct polarity.

4.1.3 Six Wire Multiplexing

In *SixWire* configuration, the SM4040 and SM4042 simultaneously connect one channel to the A-bus, one to the B-bus and one to the C-bus. Selecting a channel automatically closes three channel relays. For instance, selecting channel 2 results in the opening of all currently closed channel relays, followed by the closure of Ch2, Ch12, and Ch22. Each is routed to the A-bus, B-bus, and C-bus, respectively. To measure a resistor using 6-Wire guarded connection, the A-bus is connected to the DMM source leads, the B-bus to the sense leads and the C-bus to the Guarded point. Make sure the polarity of the lines is consistent. It should be noted that the 'D' group, consisting of Ch31 to Ch40, is available independently to provide additional 10 channels of 2-Wire multiplexing.

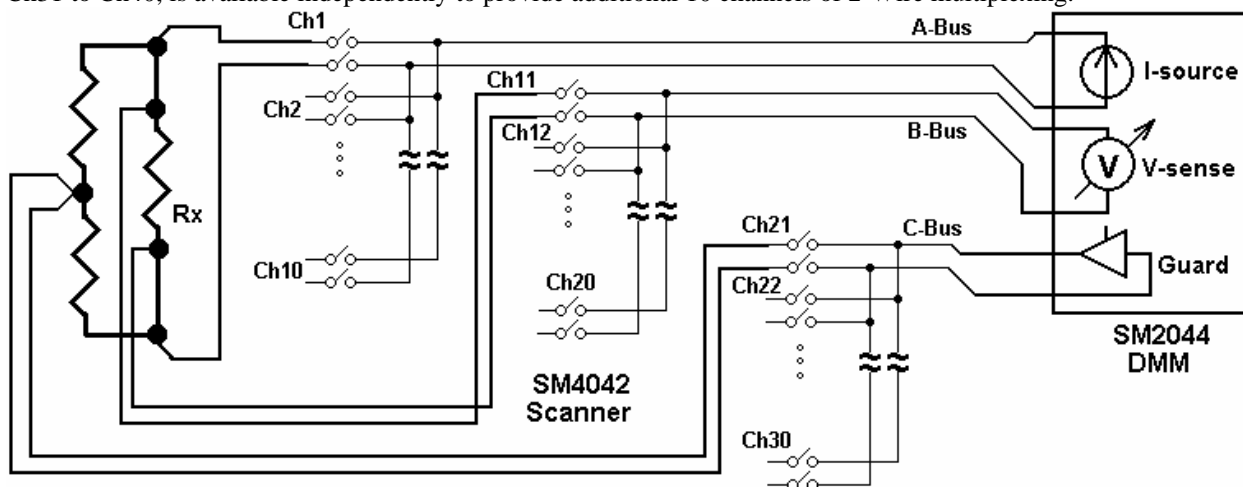


Figure 4-3. In the 6-Wire configuration, the three lead sets are switched simultaneously.

4.1.4 Two Groups Configuration

In the *TwoGroup* configuration, the SM4000 family provides two independent multiplexing groups. Both groups function as two independent two wire multiplexers. When a channel is selected, any closed channel within that group is opened; next, the selected channel is closed. The SM4020 and SM4022 route Ch1 through Ch10 to the A-

bus, forming one group, and, Ch11 through Ch20 to the B-bus, forming the second group. The SM4040 and SM4042 route Ch1 to Ch20 to the A-bus forming the first group, and Ch21 through Ch40 to the C-bus, forming the second group.

4.1.5 Four Groups Configuration

In the *FourGroup* configuration, the SM4040 and SM4042 provide four independent multiplexing groups. The groups function as independent two wire multiplexers. When a channel is selected, any closed channel within the selected group is opened, followed by the closure of the selected channel. It's like having four individual switching modules. Ch1 to Ch10 are routed to the A-bus forming the first group. Ch11 to Ch20 are routed to the B-bus forming the second group. Ch21 to Ch30 are routed to the C-bus forming the third group. Ch31 through Ch40 are routed to the D-bus to form the fourth group.

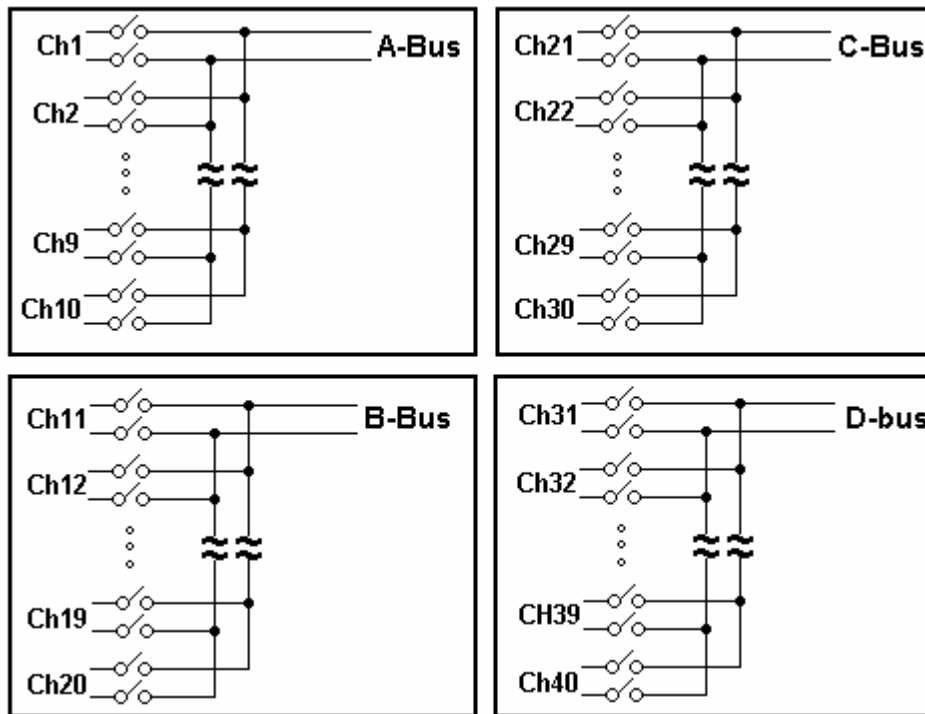


Figure 4-4. In the Four Groups configuration, four independent 2-Wire scanners are available.

4.1.6 Disabled

In the Disabled configuration, all relays, including channel and configuration relays are open. This is the default configuration, selected on power up, or initialization.

4.2 Scanner Operations

In addition to basic scanner operations such as selecting channels, the SM4000 series has several built-in operations, which it more versatile and a lot more capable. These operations include various self-diagnostics procedures, contact cleaning, and auto scanning and interfacing to external test and measurement instruments.

4.2.1 Trigger Output

The trigger output line, **TRIG_out**, maybe enabled or disabled as well as set for a positive or negative polarity using the **SCANTriggerOutState()** command. Under normal operation, the **TRIG_out** line is active for the duration of the Actuation time. It maybe used to drive or synchronize other test equipment. If set to positive polarity, a positive edge indicates the selected channel is closed and settled, provided the correct Actuation time is set (use **SCANSetActuationTime()** function to set it). The logic level of **TRIG_out** may be set high or low using

the **SCANSetTriggerOut()** function. In the following diagram, TRIG_out level corresponds to the circuit in figure 3.3.

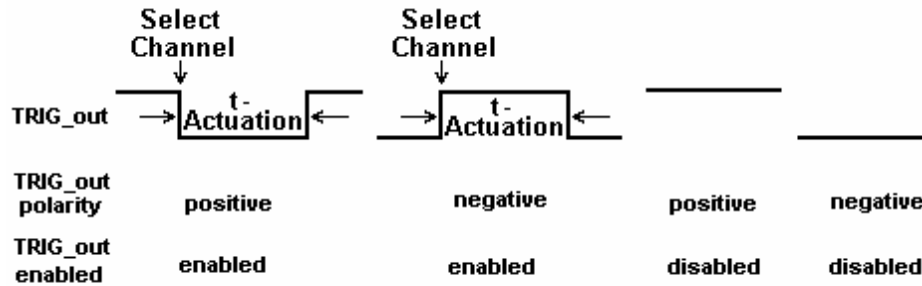


Figure 4-4. The trigger input maybe set for polarity and be enabled or disabled.

4.2.2 Trigger Input

The trigger input line, **TRIG_in**, maybe set for a positive or negative polarity using the **SCANTriggerInState()** command. Under normal operation, the **TRIG_in** line has no effect on the operation of the scanner. It maybe used to synchronize other test equipment such as in the Triggered Auto Scan and Triggered Scan, where an external event initiates scanning operation. The level of the **TRIG_in** line maybe monitored using the **SCANGetTriggerIn()** command.

4.2.3 Auto Scan Operation

This operation requires that the Scanner be in one of the following configurations: *TwoWire*, *FourWire*, *SixWire*, *TwoGroups*, or *FourGroups*. The Auto Scan operation is a software initiated Scan sequence. Issuing **SCANAutoScan()** command triggers an automatic scanning operation, in which the first channel from the first location in the Scan List table is selected first, followed by a delay equal to *t-Step*. Channels are selected sequentially from the Scan List. The total number of points in the scan is controlled by the *iPoints* parameter passed by the **SCANAutoScan()** function, which must be a value between 1 and 192. This mode maybe terminated by sending **SCANAbort()** command to the Scanner during the scan. Use the **SCANOpenAllChannel()** function at the end of the scan, if you wish to open the last selected channel. The Trigger output signal can be used to synchronize other instruments to the SM4000 Scanner. The value of *t-Step* and *t-Actuation* can be set to generate a trigger output signal for triggering instruments. For instance, setting the TRIG_out polarity to positive sense (as in Figure 4-6) will result in a positive edge to trigger an SM2044 DMM, after a channel relay is closed and settled.

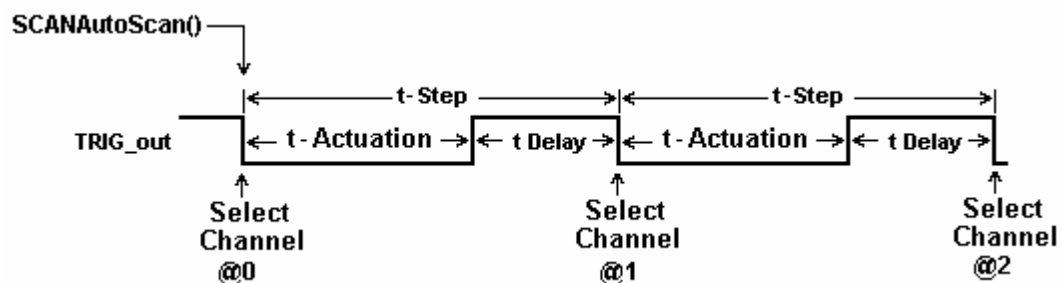


Figure 4-6. AutoScan is a software-initiated channel scanning procedure.

4.2.4 Triggered Auto Scan Operation

This operation requires that the Scanner be in one of the following configurations: *TwoWire*, *FourWire*, *SixWire*, *TwoGroups*, and *FourGroups*. The Triggered Auto Scan operation is a hardware-triggered version of the above Auto Scan operation. The trigger polarity can be selected. The **SCANTrigAutoScan()** function sets the Scanner into the Triggered Auto Scan mode, in which the Scanner waits for a trigger edge to initiate an Auto Scan operation. Once a trigger is received, the first channel from the first location in the Scan List table is selected, followed by a delay equal to *t-Step*, then the selection of subsequent channels as specified in the Scan List table. The Scanner proceeds to sequentially select a total of *iPoints*. The last parameter is passed to the scanner by the **SCANTrigAutoScan()** function. This value must be between 1 and 192. This may be terminated by sending

SCANAbort() command to the Scanner. Use the **SCANOpenAllChannel()** function if you wish to open the last selected channel at the end of the scan.

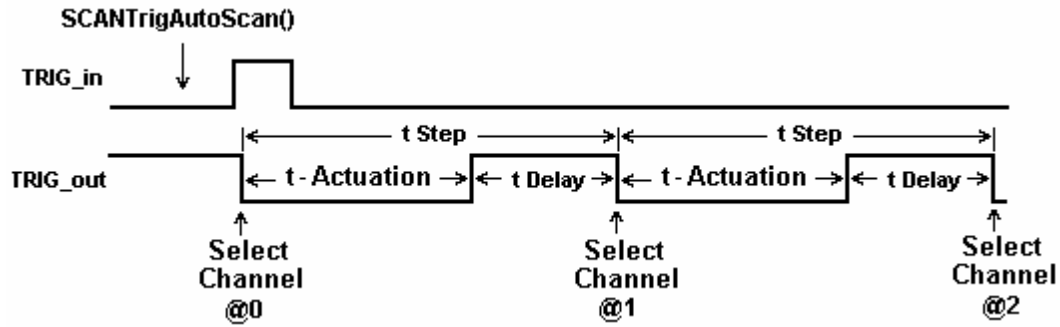


Figure 4-7. Positive edge Triggered AutoScan is a hardware initiated automatic scanning process.

4.2.5 Triggered Scan Operation

This operation requires that the Scanner be in one of the following configurations: *TwoWire*, *FourWire*, *SixWire*, *TwoGroups*, and *FourGroups*. The Triggered Scan operation is a hardware driven scanning process. Each step through the Scan List table is initiated by hardware trigger event. The trigger input signal edge polarity can be selected. The **SCANTrigScan()** function sets the Scanner into the Triggered Scan mode, in which the Scanner expects a total of *iPoints* triggers. Once this command is issued to the Scanner, it waits for the first trigger edge to select the first channel from the first location in the Scan List table. Following the selection of each point, the Scanner waits for *t-Actuation* period, during which triggers are ignored. The Scanner responds to subsequent trigger edges by sequentially selecting channels stored in the Scan List. The total number of points in the scan is controlled by the *iPoints* parameter passed to the scanner by the **SCANTrigScan()** function, which must be a value between 1 and 192. This mode is concluded at the end of the number of points specified, or terminated by sending **SCANAbort()** command to the Scanner. Use the **SCANOpenAllChannel()** function if you wish to open the last selected channel.

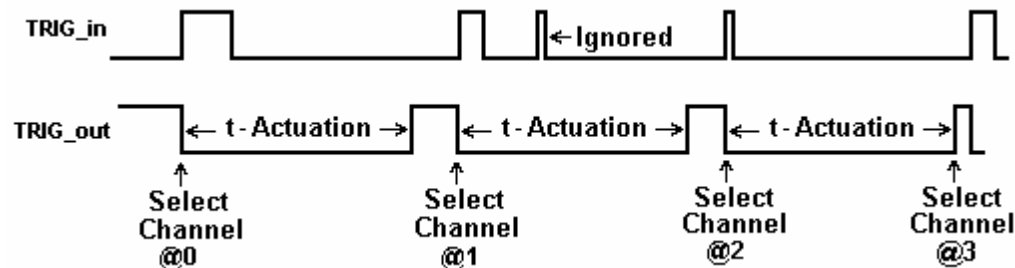


Figure 4-8. Positive edge Triggered Scan operation is a hardware initiated scanning process.

4.2.6 Single Step Scan Operation

This operation requires that the Scanner be in one of the following configurations: *TwoWire*, *FourWire*, *SixWire*, *TwoGroups*, and *FourGroups*. The Single Step Scan operation is similar to the Triggered Scan process with the exception that each step through the Scan List table is initiated by the **SCANStep()** command rather than by hardware trigger event. The **SCANSetupStep()** function prepares the Scanner for this operation by resetting the Scanner's Scan List pointer to point to the first entry of the table. In response to the **SCANStep()** command, the Scanner selects the channel stored in the Scan List location pointed to by the Scan List pointer, then it increments this pointer to point to the next location. The number of points in the scan is controlled by the number of times **SCANStep()** commands is issues since the last **SCANSetupStep()** function was executed. When done using the **SCANStep()** and **SCANSetupStep()** functions, the Scanner is going to remain with the last channel selected. The maximum number of entries in the Scan List is 192. The polled version of **SCANStep()**, **SCANStepCmd()** function maybe used if a polled control is required. Read about the usage of polled operations in the "Polled Type Operations" section. Use the **SCANOpenAllChannel()** function if you wish to open the last selected channel.

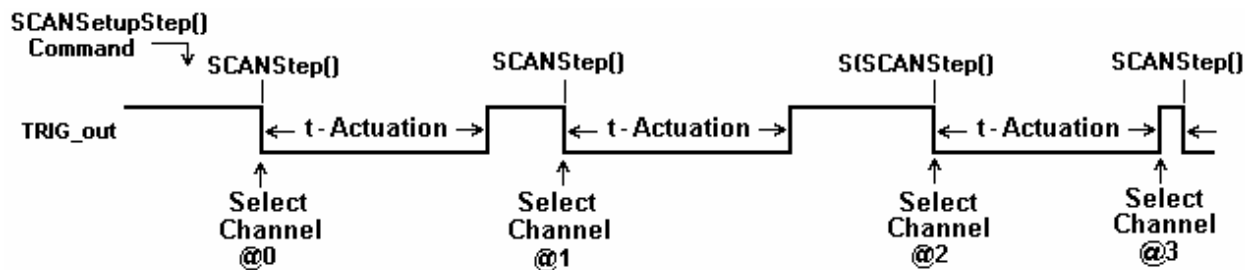


Figure 4-9. Single Step operation requires a **SCANSetupStep()** then **SCANStep()** command.

4.2.7 Scan List Operations

The Scan List table resides on board the scanner. It contains 192 locations, allowing a scan made up of up to 192 channels. Two DLL functions provide means to write and read to this table. The table contains channel numbers associated with the scanner channels. The SM4040 and SM4042 may contain entries with values between 1 and 40, representing the available channel numbers. An entry of zero forces deselection of all channels. The Scan List table may contain repetition, or a scan sequence with multiple selection of a single channel. Entries to the table are context sensitive. The current configuration of the Scanner determines how channels numbers are treated. For instance, an entry of 40 is not reasonable while in *FourWire* configuration. In this configuration, an entry of 1 (Channel 1) will force selection of two channels, Ch1 and Ch21.

All Auto Scan operations read the table sequentially, starting at address 0 and ending at 191. It is important to consider the configuration of the Scanner when setting the table. The table may be written and read any time the Scanner is not busy. Operations using the Scan List include: **SCANAutoScan()**, **SCANSetupStep()**, **SCANStep()**, **SCANStepCmd()** and **SCANTrigAutoScan()**.

When several Scanners are connected to form a larger channel count, a zero entry disables all cards which are not selected, while a valid channel values selects that channel of the active card. This way the scan can be made up of channels from multiple Scanners. This requires that all Scanners included in the scan are loaded with the appropriate table values. The following table shows a typical multiple card scanning operation, assuming all Scanners are in *TwoWire* configuration.

Scanner Number	Scan Table Entries								
	@0	@1	@2	@3	@4	@5	@6	@7	
SM4042 #0	0	0	8	0	0	0	0	1	
SM4042 #1	3	40	0	18	0	0	0	0	
SM4042 #2	0	0	0	0	4	5	6	0	
Scanner#, Channel	#1,Ch3	#1,Ch40	#0,Ch8	#1,Ch18	#2,Ch4	#2,5	#2,6	#0,1	

Figure 4-10. Contents of the Scan List table control Auto Scan sequence.

Use the **SCANSetScanList()** function to write to the Scanner hardware a channel value and **SCANGetScanList()** to read a value.

4.2.8 Locating Shorted Channel

The **SCANGetShortedChannel()** function scans all channels, and returns the first channel which is shorted. This can be used to detect a channel to see if it is the appropriate one, be it at the scanner input connector or at the optional terminal block. It is particularly useful in locating and identifying channel connection at the application end of a wiring harness.

4.2.9 Cleaning Relays Contacts

Using the **SCANCleanRelays()** function, the Scanner can clean each relay contact. It does this using a specially designed on-board stimulus source along with a series of vibrations. This operation causes deposits of contaminants such as polymer deposits as well as oxides to be removed. It also solves a common relay problem involving thin film of insulating deposits, which accumulate particularly on relays which have not been used for a while. It does this by pinching through this film using an on-board high voltage source. Performing this function on a regular basis will improve the scanning system's reliability and repeatability, as well as prolong contact life. All relays including Channel relays, Configuration relays and Treeing relays are cleaned by this function. The test connector must be in place in order to perform this operation. This function returns an error if the test connector is absent. Cleaning takes about 13 seconds for the SM404X and a bit less for the SM402X

4.2.10 Integrity Test

The Integrity test is a quick verification tool. The **SCANTestChanIntegrity()** function tests the integrity of the specified channel relay, by verifying that the currently set actuation and release times are adequate. The release time is assumed to be 1/2 of the actuation time. This procedure closes the relay, waits for a time equal to the actuation time, then it tests for contact closure on both contacts. Next it opens the channel relay, waits for a period equal to the release time, and verifies that the relay is open.

This test does not include bounce test. Use the **SCANTestChannelRelay()** and **CANTestConfigRelay()** functions for a more comprehensive test. This test does not verify bounce

The test connector must be present in order to carry this operation. If the test connector is not present, this function returns an error. Cleaning takes about 13 seconds for the SM404X and a bit less for the SM402X

4.2.11 Self Tests

These comprehensive tests consist of the Channel Relays test and the Configuration Relays test. They provide the confidence of knowing that the Scanner is in good repair, and can continue in its operation. The two tests are applied to a single channel: configuration or tree relay. These tests diagnose excessive bounce, open failure, and short failure. If no failure is detected, these functions measure and return the actuation time for the selected relay. The actuation time measured includes closure time plus bounce time. The results of these tests can be used to fine tune the scanner for maximum switching time performance by either, setting the highest relay's actuation time (using the **SCANSetActuationTime()** function), or setting individual actuation time prior to selecting each channel. The value of the measured actuation time is an indicative of the condition of the selected relay. A value higher than that specified for the Scanner is an indication of relay deterioration, which may require relay replacement. These tests require the test connector.

Channel Relays Test

Each Channel may be tested using the **SCANTestChannelRelay()** function. The Channel parameter can be a value between 1 and 40 for the SM4040 and SM4042, and 1 to 20 for the SM4020 and SM4022. If no failure is detected, this function returns the Actuation time for the relay.

Configuration Relays Test

Each Configuration and Tree relay may be tested using the **SCANTestConfigRelay()** function. Configuration relay can be AtoA, BtoA, BtoB, CtoA, CtoC, DtoA, DtoC, or DtoD for the SM4040 and SM4042. For the SM4020, SM4022 it can be AtoA, BtoA, or BtoB. See the *ScanUser.H* file for definitions of these relays. . If no failure is detected, this function returns the Actuation time for the relay.

4.2.12 Setting Actuation Time Parameter

The Actuation time includes the time a relay closes and settles. It is made up of both, the Operate time and Bounce time. Each relay has different actuation time, and therefore it is a good idea to keep the default 10ms Actuation time. Alternatively, one can measure all relays, and set the Actuation time to the slowest relay of the Scanner. Actuation time may vary with age, and could be an indication of fatigue of the relay. Configuration and Tree relays may be

measured using the **SCANTestConfigRelay()** function and the channel relays using the **SCANTestChannelRelay()** function. Set the Actuation time using **SCANSetActuationTime()** and read it with the **SCANGetActuationTime()** function. The SM4000 family of Scanners have a special active Release (drop-out time) circuit, which forces all relays to release much faster than operate. For this reason, the Actuation time also includes the release of a currently closed channel, in a break before operate. In configurations such as the *TwoWire*, *FourWire*, *SixWire*, *TwoGroups*, and *FourGroups*, the Actuation time includes both the release and operate processes. When enabled, the trigger output signal corresponds to the Actuation time. The trigger polarity may be set positive or negative to provide means for triggering external devices when the switching is settled. Further, the Actuation time maybe set to a value higher than necessary for relay actuation to provide delayed trigger. Actuation time may be set to a value between 1ms to 850ms.

4.2.13 Setting Step Time Parameter

This parameter is the Auto Scan period, or step time. It maybe set to a value between 1ms to 850ms. On power up, it defaults to 100ms. It is the channel to channel scan time in Auto Scan. Use **SCANSetStepTime()** to set it and **SCANGetStepTime()** to read it. When enabled during Auto Scan, the trigger output signal will have a period equal to the Step Time, and depending on trigger polarity, a negative or positive pulse corresponding to the Actuation time. The trigger can be used to provide means for triggering external devices with the desired delay. For example, consider a case where the Actuation time has been set to 50ms, but the relays actually settle within 10ms. In this scenario, additionally consider a Step time that has been left at its default value of 100ms, along with a trigger output that has been enabled and set for positive sense. With these parameters, the rising edge of the trigger output is delayed by 40ms (50ms – 10ms) from the time the relays are closed and settled, and the scanning speed is 10 channels per second (1/100ms).

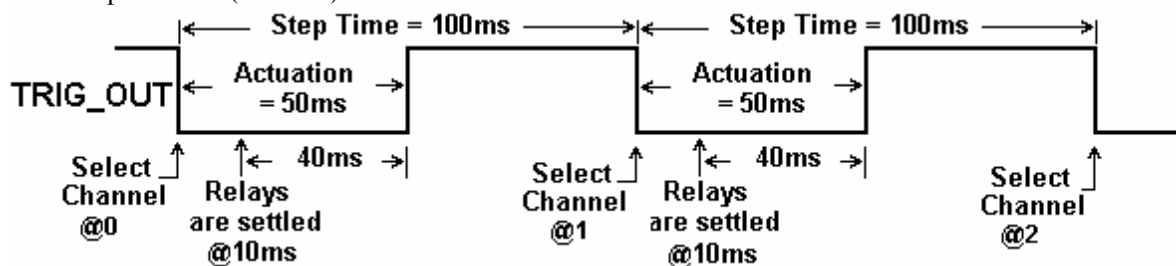


Figure 4-11. Step Time and Actuation Time parameters relations.

4.2.14 Thermocouple Temperature Measurements

With the active Isothermal terminal block option, it is possible to measure temperature using thermocouples. The active Isothermal block has a temperature sensor on the board, which can be measured using the Signametrics SM2040 series DMM with Thermocouple option. Several additional measurement functions included with this option allow both, reference junction temperature measurement and linearization of several common Thermocouple types. The junction temperature is measured by setting the Scanner to the Universal configuration and closing the AtoA DtoA and DtoD relays. This allows the measurement of the D-bus, which is connected, on the terminal block, to the temperature sensor of the active isothermal terminal block.

4.3 Polled Type Operations

Since the Scanner has its own controller, it is capable of processing operations, such as selecting channels or executing a long test procedure, without help from the PC. For instance, when the **SCANSelectChannel()** function is issued, the DLL waits for the completion of the operation. It actually waits for the Scanner to complete the operation. In response to the command the Scanner opens the appropriate channels, closes the selected channel, and then waits for Actuation time prior to responding with 'operation complete' to the PC (DLL). When using the **polled** version of the above command, **SCANSelectChannelCmd()**, no waiting takes place. The command is sent to the Scanner and the PC (DLL) does not wait for response. A test program may take advantage of this. It can issue the **polled** command, then perform various other tasks, such as setting a DMM range, then check the Scanner for completion of the polled command by using **SCANReady()**. When the last command returns **TRUE**, it means that

the Scanner is ready to accept a new command, and in the case of channel selection, the selected channel is closed and settled. If `SCANReady()` returns `TRUE`, it should not be used again until the next polled command is issued.

The following is a list of all **polled** functions: `SCANSelectChannelCmd()`, `SCANAutoScan()`, `SCANTrigAutoScan()`, `SCANTrigScan()`, `SCANStepCmd()` and `SCANCleanRelays()`.

4.4 Interfacing to the SM2040 series 6-1/2 Digit DMM

The SM4000 series Scanners are designed to interface to the SM2040, SM2042, and SM2044 Digital Multimeters. The following section describes both, the hardware interface and the software functions used to implement a synchronized operation.

4.4.1 Triggering the SM2040 DMMs

The SM2040, SM2042, and SM2044 can be triggered to measure selected Scanner channels. The interface requires a single jumper between the SM4000 `Trig_com` and `Common` lines, and two interface wires connected to the SM2040 series Trigger input. Once connected, the Scanner can be setup to produce a trigger signal for each relay selection operation. The various auto scanning operations can run independently from the computer, whereby the Scanner selects a list of channels stored in its Scan List table, and the DMM is triggered to take measurements following each channel selection.

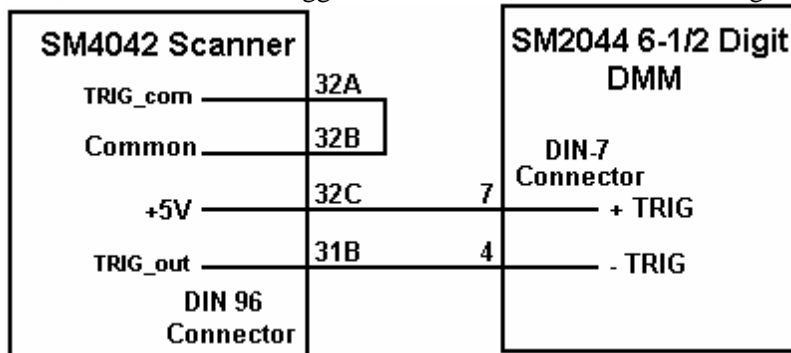


Figure 4-12. Trigger interfacing connection to an SM2040 class of DMMs.

4.4.2 Multiplexing with the SM2040 DMMs

For two wire measurements, the SM204X DMMs must be connected to the A-Bus or the scanner, or to both, the A-Bus and C-Bus for 4-Wire measurements (SM4040, SM4042). It is important to consider system-settling time when making measurements. Time delays exist in any measurement system. These delays are contributed by various sources. These include the relay Actuation times, the DMM input settling and wiring burden. The latter is primarily due to capacitance, and will vary with the type of measurement. For instance, when making high value Ohms measurements the DMM current source level could contribute significant delay due to the capacitance charge time. For example, with 1,000pf cable capacitance, the source current of the SM2044 DMM using the 33MΩ range, is 0.1μA which translates to 33ms ($dt = C \cdot dV/I$). It is also recommended to set the appropriate number of settling measurements for the DMM (a minimum of 4 is recommended).

4.4.3 Interface Commands and Timing

The sequence required for the SM2040 DMM to make triggered measurements that are generated by the SM4040, starts with the preparation of the SM4040. Set the SM4040 desired configuration, with Trigger Output enabled and positive polarity. Each channel selection will generate a positive pulse with a duration equal to the Actuation time. This could be generated by one of the scanning operations, or simply by sending channel selection commands to the SM4040. The SM2040 must also be set up for triggered readings by using the `DMMSetTrigRead()` command. In the following example, the SM2040 must send readings during the scan. Since it's on board Fifo is limited to 5 readings, and the DMM must continue to send all readings during the scan, it is important to have a tight loop that reads the measurements fast enough. Refer to Figure 4-12 for proper trigger connection.


```

SCANTriggerOutState(iScan, Enabled, PosEdge)           ' Set trigger output to Positive edge.
iReadings = 10                                       ' Total number of measurements to take
DMMSetTrigRead(iDmm, 4, iReadings, NegEdge)         ' Total of 10 readings and 4 settling readings each
SCANAutoScan(iScan, iSteps)                          ' Start auto scan
For l = 0 to iReadings - 1                            ' read measurements as they come
    While DMMReadTrigVal(iDmm, reading) = NO        ' wait for each reading and store it
        DoEvents
    Wend
Next
SCANOpenAllChannels(iScan)                            ' Good idea to open all channels when done

```

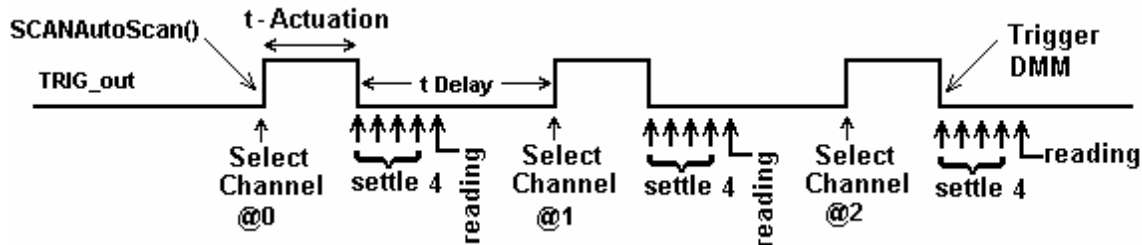


Figure 4-13. Triggered reading process and timing of SM4042 Scanner and SM2044 DMMs.

Unlike the previous example, **DMMSetBuffTrigRead()** is not time critical since the DMM saves all measurements to its on-board buffer, which is read after the scan is complete.

```

SCANTriggerOutState(iScan, Enabled, PosEdge)           ' Set trigger output to Positive edge.
iReadings = 50                                       ' Total number of measurements to take
DMMSetBuffTrigRead(iDmm, 4, iReadings, NegEdge)     ' Use 4 settling readings each
SCANAutoScan(iScan, iSteps)                          ' Set off AutoScan
While DMMReady(iDmm) = NO                            ' wait for the DMM to indicate capture
Wend                                                  ' completion of iReadings (available in buffer)
For l = 0 to iReadings - 1                            ' read values stored in the buffer
    DMMReadBuffer(iDmm, Buffer(l) )                   ' Store each reading
Next
SCANOpenAllChannels(iScan)                            ' Good idea to open all channels when done
While SCANReady(iScan) = NO                          ' Since AutoScan is a polled operation,
DoEvents                                             ' Make sure Scanner is ready
Wend

```

There are several SM2040 family commands to be considered for this operation: **DMMSetTrigRead()**, **DMMSetBuffTrigRead()**, **DMMReadTrigVal()**, **DMMReady()**, **DMMReadBuffer()** and **DMMReadBufferStr()**. Do not forget to open all channels at the end of the scan, using **SCANOpenAllChannels()**.

Referring to figure 4.13, it is clear that the total time the DMM takes reading must be kept shorter than $t\text{-Delay}$ ($t\text{-Step} - t\text{-Actuation}$), for completion of the measurements prior to the selection of the next channel. That means that $t\text{-Step}$ must be greater than $t\text{-Actuation} + (n\text{Settling} + 1) / (\text{read. per sec.})$

4.5 Single Ended application Example

4.5.1 Point to Point Configuration

This may not be obvious, but the SM4040 and SM4042 can be used for single ended applications. Taking advantage of the Universal mode, a point to point switching can be implemented. Such application includes loaded board test commonly used by MDAs. The 40 differential inputs to the multiplexer become 80 independent lines (Ch1Hi, Ch1Lo, Ch2Hi, Ch2Lo, ... CH40Hi, Ch40Lo) which can be connected to one of the four busses, A, B, C and D. These in turn can be connected to an instrument such as the SM2044 DMM. Further, it is also possible to configure it in such a way that the selected line can be connected to either the positive or the negative terminal of the DMM. Using multiple SM4042 a high point test system can be constructed. In the following example, the Vlow of the DMM is connected to the Bhi and the Dlo line of the SM4042. The Vhigh of the DMM

is connected to the Ahi and Clo of the SM4042. The next table provide the setting for a few single-ended connections to exemplify this application.

Closed channel relay	Closed Bus relay	Closed Configuration relay	DMM Low terminal	DMM High terminal
Ch1	A-to-A	-	-	Ch1Hi
Ch40	A-to-A	D-to-A	-	Ch40Hi
Ch1	C-to-C	C-to-A	-	Ch1Lo
Ch40	C-to-C	D-to-C	-	Ch40Lo
Ch1	B-to-B	B-to-A	Ch1Hi	-
Ch40	B-to-B	D-to-A, B-to-A	Ch40Hi	-
Ch1	D-to-D	D-to-A	Ch1Lo	-
Ch40	D-to-D	-	Ch40Lo	-
Ch1, Ch40	A-to-A ,D-to-D	-	Ch40Lo	Ch1Hi
Ch1	A-to-A, D-to-D,	D-to-A	Ch1Lo	Ch1Hi
Ch1	C-to-C, B-to-B	C-to-A, B-to-A	Ch1Hi	Ch1Lo

4.5.2 An 84 Point, Single End Configuration

By connecting AHi (pin 30B) and CLo (pin 30C) we can create an 84 single ended selector switch. The collector of this switch is pin 30B (Figure 4-14). Ch1 corresponds to Ch1Hi, Ch2 to Ch2Hi ...Ch10 is Ch10Hi etc.. Using Universal mode, make sure to select both, the appropriate channel relay as well as the various configuration relays.

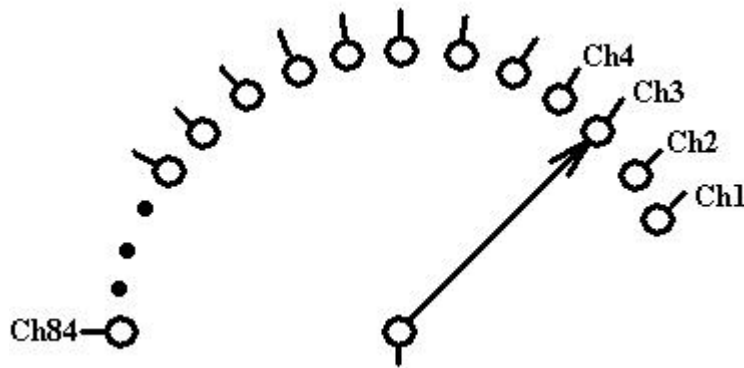


Figure 4-14. Single point switching is enabled by connecting A-bus High and C-bus Low.

5.0 SM4040 Scanner Family Windows Interface

The windows release supports Windows98®, Windows95®, WinNT4.0®, and Windows2000®. The primary means of controlling the scanners is a .DLL file that interfaces with the PCI bus via a .VXD file for Windows98/95 or .SYS driver for WinNT4.0® or Windows2000®. All of these components are placed at the appropriate directories, and registry entries are made during Setup.

5.1 Distribution Files

The main directory of the distribution diskette contains the Microsoft® Windows™ SM4040 Scanner software. To install this software, enter the command "A:SETUP" in the "Run Program" menu of the Windows File Manager; or double-click on the SETUP.EXE file name from the File Explorer Tool Manager window. Most files on this diskette are compressed, and must be installed using the SETUP program.

The SM4040 DLL is a protected-mode Microsoft® Windows™ DLL that will control the Signametrics SM4020, SM4022, SM4040, and SM4042. It is provided with a sample Visual Basic™ control-panel application (GUI) to demonstrate the Scanner and the interface to the DLL. Check the README.TXT file for more information about the files contained on the diskette. Some important files to note are:

<u>File</u>	<u>Description</u>
SM4040.LIB	The Windows import library. Install in a directory pointed to by your LIB environment variable.
SM4040.DEF	SM2040 driver DLL module definition file.
SM4040.DLL	The 32 bit driver DLL. This should be installed either in your working directory, in the Windows system directory, or in a directory on your PATH . The installation program installs this file in your Windows system directory (usually C:\WINDOWS\SYSTEM for Win98/95 or at C:\WINNT\SYSTEM32 for Windows NT).
SM4040.H	Driver header file. Contains the definitions of all the Scanner's function prototypes for the DLL, constant definitions, and error codes. Install in a directory pointed to by your INCLUDE environment variable.
ScanUser.H	Header file containing all of the necessary Scanner's function parameters and configuration definitions to be used with the various functions.
Msvbvm50.dll	Visual Basic run-time interpreter. Usually, install in your C:\WINDOWS\SYSTEM (or equivalent) directory. If it is not already installed, run Msvbvm50.exe for proper extraction and registration.
SM4044.vbw	Visual Basic project file
SM4044.frx	Visual Basic binary form file
SM4044.frm	Visual Basic file with main form
SM4044.vbp	Visual Basic project file
2044glbl.bas	Visual Basic file with all global Scanner declarations

<u>File</u>	<u>Description</u>
SM4044.exe	Visual Basic Scanner control panel executable
Msvcrt.dll	System file. Installs in your C:\WINDOWS\SYSTEM directory.
Windrvr.vxd	Win98/95 Virtual Device Driver. Installs in your C:\WINDOWS\SYSTEM\VMM32 directory.
Windrvr.sys	Win NT/Win 2000 Virtual Device Driver. Installs in your C:\WINNT\SYSTEM32\DRIVERS directory.
Install.doc	Installation instructions in MS Word

During initialization (**SCANInit()**), the driver reads various parameters such as Scanner type (SM4020/22/40/42), and serial number etc..

5.2 Using the SM4040 Driver with C++ or Similar Software

Install the **SM4040.H** and **ScanUser.H** header files in a directory that will be searched by your C/C++ compiler for header files. These header files are known to work with Microsoft Visual C++™. To compile using Borland, you will need to convert the **SM4040.DEF** and **SM4040.LIB** using **ImpDef.exe** and **ImpLib.exe**, provided with the compiler. Install **SM4040.LIB** in a directory that will be searched by the linker for import libraries. The SM2040 software must be installed prior to running any executable code. Install the **SM4040.DLL** in a location where either your program will do a **LoadLibrary** call to load it, or on the **PATH** so that Windows will load the DLL automatically. A common place for the DLL is at C:\WINDOWS\SYSTEM directory for Win98/95 or at C:\WINNT\SYSTEM32 directory for NT and Windows 2000.

In using the SM4040 driver, first call **SCANInit** to initialize the scanner hardware and software. This function should only be used once. Call **SCANSetConfig** to set the Scanner to a desired configuration, be it *TwoWire*, *FourWire* etc. The Scanner function constants are defined in the **ScanUser.H** header file, and have names that clearly indicate the function they invoke.

Two functions are provided to set channel-relays, **SCANSelectChannel** and **SCANSetChannelRelay**. The first opens all channels in a group, and closes the specified channel. The second function is usable while the scanner is in the *Universal* configuration, and opens or closes a specified channel relay,.

Most functions accept a Scanner number parameter, which must be set to the **iScan** value when initializing the scanner with the **SCANInit**. For multiple Scanners this **iScan** value will be 0,1,2..n. Most functions return an error code that can be retrieved as a string using **SCANErrStr**.

5.2.1 Multiple Card Operations under Windows

Single .EXE operation

Accessing multiple Scanners from a single executable is the most common way for running up to 10 Scanners using the Windows DLL. A combination of several SM404X can be controlled, as long as the single .EXE (Thread) is used to control all of the units. Make sure that prior to issuing commands to any Scanner, it is initialized using **SCANInit**. The **iScan** parameter is passed with each DLL command to define the unit to be accessed. Since this configuration utilizes the DLL to service all units, it must handle one command at a time. For example, when one Scanner's channel is selected (with a non polled command the DLL must finish the operation prior to addressing another Scanner. For improved performance, one can use the following:

Multiple .EXE operation

By having several copies of **SM4040.DLL**, and renaming them, you may multiple Scanners with separate executables. For instance, having a copy named **SM4040A.DLL** and one named **SM4040B.DLL** in C:\WINDOWS\SYSTEM (Win98/95), and having two executable files, **MultiExeA.exe** and **MultiExeB.exe**, each of the executables will run independently, making calls to the respective DLL. This can provide an execution throughput advantage over the method mentioned above. If using VisualBasic, the **MultiExeA.exe** source code should define **iScan = 0**, and **MultiExeB.exe** should define **iScan = 1**. In addition, the first EXE should declare the **SM4040A.DLL** and the second should declare **SM4040B.DLL**:

```

/*****
* Exmp4040.C Exmp4040.EXE
*
* A simple Windows .EXE example for demonstrating the SM4040
* Scanners using "C"
* Sets Configuration to TwoWire, and select a channel.
*
*****
* Make sure SM4040.lib is included in the libraries. For Microsoft
* Version 4.0 C++ and above, place under 'Source Files' in the
* Workspace, along side with Exmp4040.c
* PROJECT SETTINGS:
*
* /nologo /ML /W3 /GX /O2 /D "WIN32" /D "NDEBUG" /D "_CONSOLE" /D "_MBCS"
* /FR"Release/" /Fp"Release/Exmp4040.pch" /YX /Fo"Release/" /Fd"Release/" /FD /c

```

```

*
* Copy both SM4040.DLL and SM4040.LIB to the project directory.
*
*****/
// #define WINAPI __stdcall
#include <windows.h>
#include <string.h>
#ifdef _Windows
    #define _WINDOWS
#endif
#include "SM4040.H"           // functions declarations and error codes.
#include "ScanUser.H"        // All functions, range and rate info and function declarations.
int main(void){
    int I, iScan = 0;         // Address first Scanner in the system
    char Read[16];
    char strMsg[256];
    i = SCANInit(iScan);     // initialize SM4040
    if(i<0)
        MessageBox(0,"Initialization ERROR !", "Startup SM4040 DLL",MB_OK);    // Show Error
    SCANSetConfig(iScan,TwoWire);           // Set to TwoWire configuration
    SCANSelectChannel(iScan,32);           // Close Channel 32 relay, and necessary path relays
    MessageBox(0,strMsg, "Channel 32 is closed and settled",MB_OK);           // Show status
    return 0L;
}

```

5.3 Visual Basic Front Panel Application

The Visual Basic front panel application, **SM4040.EXE**, is an interactive control panel for the SM4040 Scanners. When it loads it will take a few seconds to initialize before the front panel is displayed.

The push buttons labeled and menus provide means to configure the Scanner and select channels. The panel has several capabilities which are enabled and disabled according to the type of Scanner detected, and the current configuration.

The source code file **GLOBAL.BAS** (in the installed **VisBasic** sub directory) contains the function declarations and the various ranges, rates and other parameters that are required. These definitions are the duplicates of the “C” header files required to write Visual Basic applications which interact with the driver DLL, along with some global variables required for this particular front-panel application.

5.3.1 Visual Basic Simple Application

The following is a very simple panel application for VisualBasic, which is included with the installed software. The two files, Global.Bas and SimplePanel.frm are presented here. This GUI panel contains six objects; a text box to input channel to select, three option buttons to set configuration, a button to apply the channel selection and a text line for displaying errors.

Global.bas module file contents:

```

Option Explicit
'function declarations
Declare Function SCANInit Lib "sm4040.dll" _
    (ByVal nScanner As Long) As Long
Declare Function SCANSetConfig Lib "sm4040.dll" _
    (ByVal nScanner As Long, ByVal Config As Long) As Long
Declare Function SCANErrString Lib "sm4040.dll" _
    (ByVal nError As Long, ByVal errString As String, ByVal stringlen As Long) As Long
Declare Function SCANSelectChannel Lib "sm4040.dll" _
    (ByVal nScanner As Long, ByVal nChannel As Long) As Long
'Configuration definitions for :
Global Const TwoWire = 0
Global Const FourWire = 7

```

```

Global Const SixWire = &H1E
' Since the DLL is written in "C", where TRUE = 1 and FALSE = 0
' and VB has -1 for True, use YES and NO instead of True and False
Global Const YES = 1
Global Const NO = 0

```

```

'Error handling code:
Public Sub ShowFault(status As Long)
    Dim errtext As String * 48
    Dim errcode As Long
    Dim start As Single
    If status < 0 Then
        errcode = SCANErrString(status, errtext, 48)
        SimplePanel.TextLine.Text = errtext
        If status <> -3 Then 'if not autorange wait with message
            start = Timer
            While ((Timer - start) < 2#) 'delay for 1.1 seconds
                DoEvents
            Wend
        End If
        SimplePanel.TextLine.Text = ""
    End If
End Sub

```

SimplePanel.frm Form file contents:

```
Option Explicit
```

```

Private Sub CommandSelect_Click()
    ShowFault SCANSelectChannel(0, Lng(TextChan.Text)) 'Select the channel
End Sub

```

```

Private Sub Form_Load()
    Dim errtext As String * 64
    Dim i, j, k As Long
    i = SCANInit(0) 'Initialize scanner 0
End Sub

```

```

Private Sub Option2W_Click()
    ShowFault SCANSetConfig(0, TwoWire)
End Sub

```

```

Private Sub Option4W_Click()
    ShowFault SCANSetConfig(0, FourWire)
End Sub

```

```

Private Sub Option6W_Click()
    ShowFault SCANSetConfig(0, SixWire)
End Sub

```

5.4 Windows DLL Default Modes and Parameters

After initialization, the Windows DLL default modes and parameters on your Scanner are set up as follows:

- Configuration is set to Disabled
- Trigger output is disabled
- Actuation time is set to 10ms
- Step time is set to 100ms

5.5 Using the SM4040 DLL with LabWindows/CVI®

When using the SM4040 DLL with LabWindows/CVI, you should read the **LabWin.txt** file included with the software diskette.

NOTE: Although these measurement functions use LabWindows/CVI® and the LabWindows/CVI(R) Test Executive, they are not necessarily coded to LabWindows® instrument driver standards.

5.6 Windows Command Language

The following section contains detailed descriptions of each function of the Windows command language. Those commands that pertain to only the SM2040 are indicated. Most functions return an error code. The code can either be retrieved as a string using **SCANErrString()** function, or it may be looked up in the SM4040.H header file.

SCANAbort

H/W access Command Polled Command

Description Abort current operation.

```
#include "SM4040.h"
```

```
int SCANAbort(int iScan)
```

Remarks This function aborts in process, polled function such as: **SCANAutoScan()**, **SCANTrigScan()**, **SCANTrigAutoScan()** etc.. It terminates the current operation and prepares the Scanner ready to accept a new command.

<u>Parameter</u>	<u>Type/Description</u>
<i>iScan</i>	int Identifies the Scanner. 0 for the first scanner.

Return Value The return value is one of the following constants.

<u>Value</u>	<u>Meaning</u>
SCAN_OKAY	Operation successfully terminated

Negative value Error code.

Example `SowFault(SCANAbt(0)); // VisualBasic application`

SCANAutoScan

H/W access Command Polled Command

Description Initiate AutoScan operation.

#include "SM4040.H"

int SCANAutoScan(int iScan, int iPoints)

Remarks Run Auto Scan procedure from the Scanner's stored ScanList. This operation is carried out by the scanner's on-board processor. It uses the Scan List table and timing parameters to perform a complete scan sequence. If necessary, the scan may be terminated by sending the **SCANAbort()** command. The Scanner scans *iPoints* of consecutive locations from the ScanList, starting with the point stored in location 0, and up to location 191 (max of 192 for *iPoints*). Steptime and Actuation time values must be set prior to executing this function. The Scan List must contain channel information for at least *iPoints* prior to using this command. Steptime must be greater than the Actuation time. This function is not applicable for the following configurations: *Universal* and *Disabled*.

Being a polled function, following this command uses **SCANReady()** to test for completion of the operation. No new H/W access command should be issued prior to **SCANReady()** return of **TRUE**. An exception is the **SCANAbort()** command which terminates the current operation.. Following reception of this command, the Scanner hardware enters a busy state. When **SCANReady()** returns **TRUE** do not use it again.

<u>Parameter</u>	<u>Type/Description</u>
<i>iScan</i>	int Identifies the Scanner. Scanners are numbered starting with zero.
<i>iPoints</i>	int The number of points in the scan. This number must be between 1 and 192, inclusive.

Return Value The return value is one of the following constants.

<u>Value</u>	<u>Meaning</u>
SCAN_OKAY	Operation successfully terminated
Negative Value	Error code.

Example

```
i = SCANAutoScan(0,22); // Scan 22 points;  
while(!SCANReady(0)); // Wait for completion of scan
```


SCANCleanRelays

H/W access Command Polled Command

Description Clean all relays.

```
#include "SM4040.H"
```

```
int SCANCleanRelays(int iScan)
```

Remarks

This function Cleans all relays. The test connector must be present to clean all contacts. This function verifies that the test connector is present. Cleaning takes about 13 seconds for the SM404X and a bit less for the SM402X. Vibrating of the contacts at varying switching patterns, while sourcing a high voltage/low current signal, causes deposits of contaminants as well as oxidations to bounce off or be pinched through, thus resulting in cleaner contacts. Doing this on a regular basis will prolong the contacts' life. Both Channel relays and Configuration relays are cleaned. Function type: Polled, requires SCANReady() prior to using additional functions.

<u>Parameter</u>	<u>Type/Description</u>
------------------	-------------------------

<i>iScan</i>	int Identifies the Scanner. Scanners are numbered starting with zero.
--------------	--

Return Value

The return value is one of the following constants.

<u>Value</u>	<u>Meaning</u>
--------------	----------------

SCAN_OKAY	Scanner is OK.
-----------	----------------

Negative Value	Error
----------------	-------

Example

```
SCANCleanRelays(0); // Issue clean command  
while( !SCANReady(0) ); // Wait for completion
```

SCANClosePCI

H/W access Command Polled Command

Description Close the PCI bus for the specified Scanner. Not for user applications.

```
int SCANClosePCI(int nScan)
```

Remarks This function is limited for servicing the Scanner. It has no use in normal operation. See also **SCANOpenPCI()** function.

<u>Parameter</u>	<u>Type/Description</u>
<i>nScan</i>	int Identifies the Scanner number

Return Value Integer error code.

<u>Value</u>	<u>Meaning</u>
SCAN_OKAY	Operation successfully completed.
Negative Value	Error code

Example

```
int status = SCANClosePCI(0);
```

SCANDelay

H/W access Command Polled Command

Description Wait for a given time.

```
#include "SM4040.H"
```

```
int SCANDelay(double dTime)
```

Remarks Delay of *dTime* seconds. *dTime* must be a positive double floating point number between 0.0 and 100.0 seconds.

<u>Parameter</u>	<u>Type/Description</u>
<i>dTime</i>	double Delay time in seconds.

Return Value The return value is one of the following constants.

<u>Value</u>	<u>Meaning</u>
SCAN_OKAY	Operation successfully terminated
Negative Value	Error code

Example

```
SCANDelay(1.2); /* wait for 1.2 Sec */
```

SCANErrString

H/W access Command Polled Command

Description Return the string describing the error.

#include "SM4040.H"

int SCANErrString(int *iErrorCode*, LPSTR *lpzError*, int *iBuffLength*)

Remarks This function returns a string containing the error description, which corresponds to the integer error, code *iErrorCode*. The error string is placed at *lpzError*.

<u>Parameter</u>	<u>Type/Description</u>
<i>iErrorCode</i>	int Error code.
<i>iBuffLength</i>	int The maximum available length of the string buffer
<i>lpzError</i>	LPSTR Points to a buffer (at least 40 characters long) to hold the error string.

Return Value The return value is the length of the error string or one of the following constants.

<u>Value</u>	<u>Meaning</u>
Positive Value	Length of returned error string.
Negative Value	Error code

Example

```
char cBuf[48];  
int length = SCANErrString( -3, cBuf, 48);
```

SCANGetActuationTime

H/W access Command Polled Command

Description Return the currently set actuation time.

```
#include "SM4040.H"
```

```
int SCANGetActuationTime(int iScan, double FAR *lpdAct)
```

Remarks This function returns a double floating value that is the currently set relay actuation time for the selected scanner.

<u>Parameter</u>	<u>Type/Description</u>
<i>iScan</i>	int Identifies the Scanner. Scanners are numbered starting with zero.
<i>lpdAct</i>	double FAR * Pointer where t-Actuation value is to be saved.

Return Value Integer error code.

<u>Value</u>	<u>Meaning</u>
SCAN_OKAY	Operation successfully completed.
Negative Value	Error code

Example

```
double FAR tAct; int i = SCANGetActuationTime(0, &tAct);
```

SCANGetBusInfo

H/W access Command Polled Command

Description Returns the PCI Bus and Slot numbers for the selected SCANNER.

```
int SCANGetBusInfo(int nScan, int *bus, int *slot)
```

Remarks This function reads the PCI *bus* and *slot* numbers for the selected Scanner. It provides means to relate the physical location to the *nScan* value by detecting the location of a Scanner in the PCI system tree. This function actually scans the hardware rather than look up the information in the registry.

<u>Parameter</u>	<u>Type/Description</u>
<i>nScan</i>	int Identifies the Scanner. These are numbered starting with zero.
<i>bus</i>	int * a pointer to integer at which the bus number is stored (0 to 255)
<i>slot</i>	int * A pointer to an integer where the slot number is stored (0 to 15)

Return Value The return value is one of the following constants.

<u>Value</u>	<u>Meaning</u>
SCAN_OKAY	Operation was successful.
Negative number	Error code

Example `int bus, slot; // Find on which bus, and slot the DMM is at
SCANGetCalDate(3, &bus, &slot); // SCANNER#3`

SCANGetConfig

H/W access Command Polled Command

Description Read the current configuration of the scanner.

int SCANGetConfig(int iScan)

Remarks This function reads the current configuration settings from the Scanner hardware. The configurations are defined in the ScanUser.H file.

<u>Parameter</u>	<u>Type/Description</u>
<i>iScan</i>	int Identifies the Scanner. Scanners are numbered starting with zero.

Return Value The return value is an integer configuration code or an error code

<u>Value</u>	<u>Meaning</u>
Positive Value	Configuration code
Negative Value	Error code

Example `int iConfig = SCANGetConfig(0);`

SCANGetGrdVer

H/W access Command Polled Command

Description Get Scanner firmware version.

#include "SM4040.H"

int SCANGetGrdVer(int iScan)

Remarks This function reads and returns the Scanner's firmware version, which is the on-board Microcontroller's S/W version. This integer should be divided by 10 to get the actual version. i.e., 15 equals version 1.5.

<u>Parameter</u>	<u>Type/Description</u>
<i>iScan</i>	int Identifies the Scanner. Scanners are numbered starting with zero.

Return Value Integer version value or an error code.

<u>Value</u>	<u>Meaning</u>
--------------	----------------

Positive Value Version

Negative Value Error code

Example `firmware_ver = SCANGetGrdVer(0);`

SCANGetHwVer

H/W access Command Polled Command

Description Get the hardware version of the Scanner.

#include "SM4040.H"

int SCANGetHwVer(int iScan)

Remarks This function returns the Scanner hardware version. A returned value of 0 corresponds to Rev_, 1 corresponds to Rev_A, 2 to Rev_B etc.

<u>Parameter</u>	<u>Type/Description</u>
<i>iScan</i>	int Identifies the Scanner. Scanners are numbered starting with zero.

Return Value Scanner hardware code or an error code.

<u>Value</u>	<u>Meaning</u>
Positive value	Hardware version code
Negative Value	Error code

Example `int HWVer = SCANGetHwVer(0);`

SCANGetID

H/W access Command Polled Command

Description Get Scanner ID code.

#include "SM4040.H"

int SCANGetID(int iScan)

Remarks This function returns the Scanner's identification code. Each Scanner has a unique ID code, which is part of the serial number.

<u>Parameter</u>	<u>Type/Description</u>
<i>iScan</i>	int Identifies the Scanner. Scanners are numbered starting with zero.

Return Value Integer card ID code (serial number) or an error code.

<u>Value</u>	<u>Meaning</u>
--------------	----------------

Positive Value Scanner ID code

Negative Value Error code

Example `int id = SCANGetID(0);`

SCANGetManDate

H/W access Command Polled Command

Description Get Manufacturing date stamp from the Scanner hardware

#include "SM4040.H"

int SCANGetManDate(int iScan, int *month, int *day, int *year)

Remarks This function returns the Scanner's manufacturing date, which is read from the hardware. The month, day and year are returned as integers. This is used to track the Scanner to a specific manufacturing date code.

<u>Parameter</u>	<u>Type/Description</u>
<i>IScan</i>	int Identifies the Scanner. Scanners are numbered starting with zero.
<i>Month</i>	int * A pointer to an integer where the month is stored
<i>Day</i>	int * A pointer to an integer where the day is stored
<i>Year</i>	int * A pointer to an integer where the year is stored

Return Value Integer error code.

<u>Value</u>	<u>Meaning</u>
SCAN_OKAY	Operation was successful.
Negative Value	Error code

Example `int month, day, year, status`
`status = SCANGetManDate(0, &month, &day, &year);`

SCANGetScanList

H/W access Command Polled Command

Description Get a value from the on-board Scan List table.

#include "SM4040.H"

int SCANGetScanList(int iScan, int iAddress)

Remarks This function returns an integer value corresponding to the *iAddress* entry to the Scanner's on-board scan list. This value should be 0 to 40 corresponding to an open channel or channel 1 to 40. This value is written to the table by **SCANSetScanList()**.

<u>Parameter</u>	<u>Type/Description</u>
------------------	-------------------------

iScan **int** Identifies the Scanner. Scanners are numbered starting with zero.

LpdMax **double FAR *** Pointer where the Max value is to be saved.

Return Value Integer error code..

Value **Meaning**

SCAN_OKAY Operation successfully completed.

Negative Value Error code

Example

```
int ScanList[192];
ScanList[3] = SCANGetScanList(0, 3); //Get the 4th entry
```

SCANGetShortedChannel

H/W access Command Polled Command

Description Returns the channel number of the shorted channel.

#include "SM4040.H"

int SCANGetShortedChannel(int iScan)

Remarks This function searches and detects a shorted channel, starting with channel 1. It returns the first channel which is found to be shorted. If none is found, the returned value is 0. A valid returned value must be 0 to 40. 0 indicates no shorted channel is found, 1 to 40 correspond to channels 1 to 40 being shorted.

Parameter **Type/Description**

iScan **int** Identifies the Scanner. Scanners are numbered starting with zero.

Return Value The return value corresponding to the shorted channel or an error code.

Value **Meaning**

0 No shorted channel found.

1 to 40 Shorted channel number

Negative Value Error code

Example

```
int shorted = SCANGetShortedChannel(0);
```

SCANGetStepTime

H/W access Command Polled Command

Description Get the currently set Auto Scan step time.

#include "SM4040.H"

int SCANGetStepTime(int iScan, double FAR *lpdTstep)

Remarks This function returns a double floating value that is the currently set step time.

<u>Parameter</u>	<u>Type/Description</u>
<i>iScan</i>	int Identifies the Scanner. Scanners are numbered starting with zero.
<i>lpdTstep</i>	double FAR * Pointer where the Step time value is to be saved.

Return Value Integer error code..

<u>Value</u>	<u>Meaning</u>
SCAN_OKAY	Operation successfully completed.
Negative Value	Error code

Example

```
double FAR Tstep;  
int status = SCANGetStepTime(0, &Tstep);
```

SCANGetTriggerIn

H/W access Command Polled Command

Description Read the state of the Trigger Input line.

#include "SM4040.H"

int SCANGetTriggerIn(int iScan)

Remarks This function returns the logic state of the Hardware trigger input line to the Scanner.

<u>Parameter</u>	<u>Type/Description</u>
<i>iScan</i>	int Identifies the Scanner. Scanners are numbered starting with zero.

Return Value Scanner hardware code or an error code.

<u>Value</u>	<u>Meaning</u>
0 or Positive value	State of the Trigger input line.
Negative Value	Error code

Example

```
int Trig = SCANGetTriggerIn(0);
```

SCANGetType

H/W access Command Polled Command

Description Get the type of the Scanner.

#include "SM4040.H"

int SCANGetType(int iScan)

Remarks This function returns the Scanner type.

<u>Parameter</u>	<u>Type/Description</u>
<i>iScan</i>	int Identifies the Scanner. Scanners are numbered starting with zero.

Return Value Scanner type Integer or an error code.

<u>Value</u>	<u>Meaning</u>
4020	SM4020 is at iScan slot
4022	SM4022 is at iScan slot
4040	SM4040 is at iScan slot
4042	SM4042 is at iScan slot
Negative Value	Error code

Example `int type = SCANGetType(0);`

SCANGetVer

H/W access Command Polled Command

Description Return the Scanner's DLL software driver version.

#include "SM4040.H"

int SCANGetVer(double FAR *lpfResult)

Remarks This function returns the Scanner's software driver version, which is a double floating value.

<u>Parameter</u>	<u>Type/Description</u>
<i>lpfResult</i>	double FAR * Pointer to the location which holds the version.

Return Value Integer value version code or an error code.

<u>Value</u>	<u>Meaning</u>
SCAN_OKAY	Operation successfully completed.
Negative Value	Error code

Example `int status; double d;
status = SCANGetVer(&d);`

SCANInit

H/W access Command Polled Command

Description Initialize the scanner.

```
#include "sm4040.h"
```

```
int SCANInit(int iScan)
```

Remarks This function must be the first function to be executed. It opens the driver for the specified Scanner. The first one being 0, the second 1, etc. It also initializes the hardware and software and sets the scanner to Disabled configuration.

<u>Parameter</u>	<u>Type/Description</u>
<i>iScan</i>	int Identifies the Scanner. Scanners are numbered starting with zero.

Return Value The return value is one of the following constants.

<u>Value</u>	<u>Meaning</u>
SCAN_OKAY	Scanner was initialized successfully.
Negative Value	Error code

Example

```
int i = SCANInit(0); // Initialize the first Scanner
```

SCANIsInitialized

H/W access Command Polled Command

Description Return the active status of the Scanner.

```
#include "SM4040.H"
```

```
int SCANIsInitialized(int iScan)
```

Remarks This function returns the status of the Scanner. If the scanner was previously initialized, it is an active one, and TRUE is returned. If the scanner was not initialized and is available to be opened, the return value is FALSE, indicating the Scanner maybe initialized and addressed. This function is used for managing multiple scanners in a system.

<u>Parameter</u>	<u>Type/Description</u>
<i>iScan</i>	int Identifies the Scanner. Scanners are numbered starting with zero.

Return Value TRUE, FALSE or an error code.

<u>Value</u>	<u>Meaning</u>
TRUE	Scanner is initialized and active.
FALSE	Scanner is not initialized.
Negative Value	Error code

Example

```
int active = SCANIsInitialzied(0);
```

SCANOpenAllChannels

H/W access Command Polled Command

Description Open all channel relays.

```
#include "SM4040.H"
```

```
int SCANOpenAllChannels(int iScan)
```

Remarks This function opens all channel relays. It does not effect the configuration of the Scanner. It may be used following one of the scanning operations, to make sure all channels are left open. Or it can be used any time when it is necessary to open all channels. It is not operational while in *Disabled* or *Universal* configurations

<u>Parameter</u>	<u>Type/Description</u>
<i>iScan</i>	int Identifies the Scanner. Scanners are numbered starting with zero.

Return Value The return value is one of the following constants.

<u>Value</u>	<u>Meaning</u>
SCAN_OKAY	Operation successfully completed.
Negative Value	Error code

Example

```
int active = SCANOpenAllChannels(0);
```

SCANOpenPCI

H/W access Command Polled Command

Description Open the PCI bus for the specified Scanner. Not for user application.

```
int SCANOpenPCI(int nScan)
```

Remarks This function is limited for servicing the Scanner. It has no use in normal operation.. See also **SCANClosePCI()** function.

<u>Parameter</u>	<u>Type/Description</u>
<i>nScan</i>	int Identifies the Scanner number.

Return Value Integer error code.

<u>Value</u>	<u>Meaning</u>
SCAN_OKAY	Operation successfully completed.
Negative Value	Error code

Example

```
int status = SCANOpenPCI(0);
```

SCANReady

H/W access Command Polled Command

Description Return the ready state of the Scanner following a polled operation.

```
#include "SM4040.H"
```

```
int SCANReady(int iScan)
```

Remarks Following the completion of long or complex polled commands, the scanner indicates it is ready to accept a new command by issuing a task complete message. XXXXX
 Functions requiring the use of the SCANReady() command include; **SCANSelectChannelCmd()**, **SCANAutoScan()**, **SCANTrigAutoScan()**, **SCANTrigScan()**, and **SCANCleanRelays()**. The **SCANReady()** function checks returns TRUE if ready, and FALSE otherwise. Once a TRUE status is returned, the **SCANMMReady()** function should not be used again until a new polled command requires it.

<u>Parameter</u>	<u>Type/Description</u>
<i>iScan</i>	int Identifies the Scanner. Scanners are numbered starting with zero.

Return Value The return value is one of the following constants.

<u>Value</u>	<u>Meaning</u>
TRUE	Scanner is done and ready to accept new commands.
FALSE	Scanner is not ready.
Negative Value	Error code

Example

```
double Buffer[10];
SCANAutoScan(0,10);
while( ! SCANReady(0) );
    for(i=0;i<10 ; i++) Buffer[i] = SCANReadBuffer(0);
```

SCANSelectChannel

H/W access Command Polled Command

Description Select channel command.

```
#include "SM4040.H"
#include "ScanUser.H"
```

```
int SCANSelectChannel(int iScan, int iChan)
```

Remarks This is the primary channel selection function for the multiplexed configurations of the scanner. It opens currently closed channel(s) in a configured group and then closes channel *iChan*. Depending on the current configuration, it will open and close a different number of relays. In *TwoWire* configuration, all relays open prior to closing the *iChan*. If the Scanner is in the *FourWire* configuration, the *iChan* value for an SM4042 can be between 1 and 20, since there are twenty *FourWire* channels available. In addition to opening the currently closed channels, it will close the two channel relays in accordance with the *FourWire* switching scheme. Configuration relays will also be set as required for accessing the selected channel. This command is applicable in the following configurations: *TwoWire*, *FourWire*, *SixWire*, *TwoGroups*, and *FourGroups*. It opens and closes all pertinent relays within one t-Actuation. Issuing this command will prevent the execution of any other functions in the thread, for a period of t-Actuation.

<u>Parameter</u>	<u>Type/Description</u>
<i>iScan</i>	int Identifies the Scanner. Numbered starting with zero.
<i>iChan</i>	int Channel number Range: 1 to 40 depending on Scanner type and set configuration. 0 causes opening of all channels in a group.

Return Value Integer code.

<u>Value</u>	<u>Meaning</u>
SCAN_OKAY	Operation successfully completed.
Negative Value	Error code

Example

```
SCANSelectChannel(0, 3); // Select a channel
DMMRead(0, @val); // measure input at Channel 3
```

SCANSelectChannelCmd

H/W access Command Polled Command

Description Polled select channel command.

#include "SM4040.H"

int SCANSelectChannelCmd(int iScan, int iChan)

Remarks This is the polled version of the **SCANSelectChannel** function. It opens all channels in a group, then closes channel number *iChan*. This is a polled function. It sends a command to the Scanner but unlike **SCANSelectChannel**, it does not wait for completion of the selection operation. **SCANReady** must be used in order to verify the selected channel was closed and the scanner is ready for a new command. It is necessary for **SCANReady** to return **TRUE** once for proper operation. For instance, if the actuation time is set to 10ms, and a wait of 100ms it taken following the execution of the **SCANSelectChannelCmd**, it should not be assumed the scanner is ready. **SCANReady** must be used and return **TRUE** to proceed. **SCANReady** not only checks for readiness, but it also clears some registers in preparations for the next command. It is important to note that the **SCANSelectChannelCmd** is context sensitive and depending on the current configuration will function differently. See **SCANSelectChannel** command for details. This command is limited to the following configurations: *TwoWire*, *FourWire*, *SixWire*, *TwoGroups* and *FourGroups*.

<u>Parameter</u>	<u>Type/Description</u>
<i>iScan</i>	int Identifies the Scanner. Numbered starting with zero.
<i>iChan</i>	int Channel number Range: 1 to 40 depending on Scanner type and set configuration

Return Value Integer code.

<u>Value</u>	<u>Meaning</u>
SCAN_OKAY	Operation successfully completed.
Negative Value	Error code

Example

```
SCANSelectChannelCmd(0, 3); // Select a channel.
DMMSetRange(0, 300mV) //Set DMM to appropriate range
DMMRead(0, &Val); //Flush a reading or two
While( ! SCANReady(0)); // Wait for Scanner to be ready
DMMRead(0, &reading); // Read input
```

SCANSetActuationTime

H/W access Command Polled Command

Description Set relay actuation time value

```
#include "SM4040.H"
```

```
int SCANSetActuationTime(int iScan, double dActuate)
```

Remarks This function sets the actuation time value to the scanner. The actuation time is the time it takes the scanner to select and deselect all relays. The default actuation time is set to 10mS. The allowed range is from 0.25ms to 800ms. The resolution is about 0.25ms.

<u>Parameter</u>	<u>Type/Description</u>
<i>iScan</i>	int Identifies the Scanner. Numbered starting with zero.
<i>dActuate</i>	double Sets the actuation time. Allowed value is between 0.25ms to 800ms.

Return Value The return value is one of the following constants.

<u>Value</u>	<u>Meaning</u>
SCAN_OKAY	Function succeeded.
Negative Value	Error code

Example

```
status = SCANSetActuationTime(0, 0.05); // Set to 50ms
```

SCANSetChannelRelay

H/W access Command Polled Command

Description Close or open a channel relay.

```
#include "SM4040.H"  
#include "ScanUser.H"
```

```
int SCANSetChannelRelay(int iScan, int iState, int iChan)
```

Remarks This function provides means to close or open individual channel relays while the Scanner is in the *Universal* configuration. Issuing this command causes a single relay to open or close, with an actuation time of tActuation. In the Universal configuration, multiple channel relays can be closed. With *iState* set to **OPEN**, open the *iChan* relay. Close it if *iState* is set to **CLOSE**. See ScanUser.H for definitions. See also **SCANSetConfigRelay** function.

<u>Parameter</u>	<u>Type/Description</u>
<i>IScan</i>	int Identifies the Scanner. Numbered starting with zero.
<i>IState</i>	int Closes a channel relay if equal to CLOSE , opens it if OPEN . (OPEN = 'O' or 0X4F and CLOSE = 'C' or 0X43)
<i>IChan</i>	int Channel number Range: 1 to 40 depending on Scanner type

Return Value Integer error code.

<u>Value</u>	<u>Meaning</u>
--------------	----------------

SCAN_OKAY Operation successfully completed.

Negative Value Error code

Example

```
SCANSetChannelRelay(0, OPEN, 10); // Open channel 10 relay
for(I=1; I<=9; I++) // Close 1, 2...9
SCANSetChannelRelay(0, CLOSE, i);
```

SCANSetConfig

H/W access Command Polled Command

Description Set the Scanner configuration to one of the predefined modes.

```
#include "SM4040.H"
#include "ScanUser.H"
```

```
int SCANSetConfig(int iScan, int iConfiguration)
```

Remarks This function sets the Scanner to one of the available configurations. It acts on both, the configuration relays and tree relays to set the Scanner for *TwoWire*, *FourWire*, *SixWire*, *TwoGroups*, *FourGroups*, *Universal* or *Disabled* configurations. The *SixWire* and *FourGroups* configuration are only available with the SM4040 and SM4042. All configuration constants are defined in the ScanUser.H file. It consumes t-Actuation to set the configuration. Setting configuration to *Universal* or *Disabled* opens all relays.

<u>Parameter</u>	<u>Type/Description</u>
<i>iScan</i>	int Identifies the Scanner. Numbered starting with zero.
<i>iConfiguration</i>	int Configuration to set

Return Value Integer error code.

<u>Value</u>	<u>Meaning</u>
SCAN_OKAY	Operation successfully completed.
Negative Value	Error code

Example

```
SCANSetConfig(0, TwoWire) // Set scanner to 2-Wire
//configuration
```

SCANSetConfigRelay

H/W access Command Polled Command

Description Set one of the configuration relays.

```
#include "SM4040.H"
#include "ScanUser.H"
```

```
int SCANSetConfigRelay(int iScan, int iState, int iRelay)
```

Remarks This function opens or closes the selected configuration and tree relays. It is only available while the Scanner is set to the *Universal* configuration. With *iState* set to **CLOSE** the selected relay is closed, while **OPEN** opens it. The Configuration and Tree relays are defined in the ScanUser.H file. They include *AtoA*, *BtoA*, *BtoB*, *CtoA*, *DtoA*,

CtoC, DtoD, and DtoC. The *CtoA, DtoA, CtoC, DtoD, and DtoC* are only available with the SM4040 and SM4042. It takes t-Actuation to execute this command.

<u>Parameter</u>	<u>Type/Description</u>
<i>iScan</i>	int Identifies the Scanner being addressed
<i>iState</i>	int Indicates if relay is to be opened or closed. [OPEN CLOSE]
<i>iRelay</i>	int Identify the configuration/tree relay to act on

Return Value Integer error code.

<u>Value</u>	<u>Meaning</u>
SCAN_OKAY	Operation successfully completed.
Negative Value	Error code

Example `SCANSetConfigRelay(0, CLOSE, CtoA) // Close CtoA relay`

SCANSetScanList

H/W access Command Polled Command

Description Set a single Scan List entry.

#include "SM4040.H"

int SCANSetScanList(int iScan, int iAddress, int iChannel)

Remarks This function writes a single entry to the Scan List table on-board the Scanner. *iAddress* is the location to be written to, and *iChannel* is the channel number to be set. The address can be between 0 and 191, while the channel can be a value between 0 to 20 for the SM4020,22 and 0 to 40 for the SM4040,42. On power up the contents of the table is not defined. Consider the configuration of the Scanner when writing data to the Scan Table.

<u>Parameter</u>	<u>Type/Description</u>
<i>iScan</i>	int Identifies the Scanner. Scanners are numbered starting with zero.
<i>iAddress</i>	int Identifies the address to write to. It can be a value between 0 and 191.
<i>iChannel</i>	int Channel number maybe a value between 0 to 40 (0 for all open)

Return Value Integer error code.

<u>Value</u>	<u>Meaning</u>
SCAN_OKAY	Operation successfully completed.
Negative Value	Error code

Example

```
double reading; int I;
for(i=0; i<40;i++) SCANSetScanList(0, i-1, i); // Set
locations // 0 to 39 to channels 1 through 40
SCANAutoScan(0,40); // execute a 40 point auto scan
sequence of // Ch1, Ch2, Ch3...Ch40
```

SCANSetStepTimeH/W access Command Polled Command **Description** Set auto scan step time

#include "SM4040.H"

int SCANSetStepTime(int iScan, double dStep)**Remarks**

This function sets the scanner's Step time value. The Step time effects the various auto-scanning operations. It is the dwell time at each channel in a scan sequence. For proper operation the Step time must be greater than the actuation time. The default value is 100mS. The allowed range is from 1ms to 850ms. The resolution is 0.25ms.

<u>Parameter</u>	<u>Type/Description</u>
<i>iScan</i>	int Identifies the Scanner being addressed.
<i>dStep</i>	double Sets the step time. Allowed value is between 1ms to 850ms.

Return Value The return value is one of the following constants.

<u>Value</u>	<u>Meaning</u>
SCAN_OKAY	Function succeeded.
Negative Value	Error code

Example

```
status = SCANSetStepTime(0, 0.200); // Set step time
// to 200ms
```

SCANSetTriggerOutH/W access Command Polled Command **Description** Set the Scanner Trigger output signal level.

```
#include "SM4040.H"
#include "ScanUser.H"
```

int SCANSetTriggerOut(int iScan, int iLevel)**Remarks**

This function forces the Scanner's trigger output line to a high or a low level. With *iLevel* set to one (1), the level is set high. Zero (0) forces it low. This setting is independent of the trigger enable line, and may be used as a control line.

<u>Parameter</u>	<u>Type/Description</u>
<i>iScan</i>	int Identifies the Scanner being addressed.

iLevel **int** Level indicator. 0 – low, 1 – high.

Return Value The return value is one of the following constants.

<u>Value</u>	<u>Meaning</u>
SCAN_OKAY	Operation successfully completed.
Negative Value	Error code

Example `status = SCANSetTriggerOut(0,1); //Set trigger line to high level`

SCANSetupStep

H/W access Command Polled Command

Description Set the Scanner for Stepped scanning operation.

`#include "SM4040.H"`

`int SCANSetupStep(int iScan)`

Remarks This function prepares the Scanner for a single step scanning operation. See **SCANStep** function for details. It clears the hardware ScanList pointer to point to the first entry of the ScanList table. Step() command increments this pointer.

<u>Parameter</u>	<u>Type/Description</u>
<i>iScan</i>	int Identifies the Scanner being addressed.

Return Value Integer error code.

<u>Value</u>	<u>Meaning</u>
SCAN_OKAY	Operation successfully completed.
Negative Value	Error code

Example `int status = SCANSetupStep(0); // Set for step scan operation`

SCANStep

H/W access Command Polled Command

Description Step to the next channel in the Scan List.

`#include "SM4040.H"`

`int SCANStep(int iScan)`

Remarks Switch to the next point in the scan table. This is software triggered switching function. It is similar to **SCANTriggerScan** except the scanner steps to the next channel in the scan list due to a command rather than by hardware event. The number of points is the actual number of times **SCANStep** is issued following **SCANSetupStep** command. **SCANSetupStep** sets the hardware ScanList pointer to point to the first entry of the ScanList table. On **SCANStep** command, the Scanner selects the channel(s) pointed to by the hardware pointer, then increments the ScanList pointer. Parameters effecting the operation include the set configuration, the Actuation time, and trigger output polarity

and enable state. The ScanList must be pre-loaded prior to issuing this command. Make sure the number of **SCANStep** commands being issued does not exceed the loaded contents of the scan list. Up to 192 points can be selected in this operation mode.

<u>Parameter</u>	<u>Type/Description</u>
<i>iScan</i>	int Identifies the Scanner being addressed.

Return Value The return value is one of the following constants.

<u>Value</u>	<u>Meaning</u>
SCAN_OKAY	Operation successfully completed.
Negative Value	Error code

Example

```
status = SCANStepCmd(0); //Step to the next point in the
//ScanList table
```

SCANStepCmd

H/W access Command Polled Command

Description Step to the next channel in the Scan List.

#include "SM4040.H"

int SCANStepCmd(int iScan)

Remarks This is the polled version of the **SCANStep** function. It sends the command to the Scanner but unlike **SCANStep**, it does not wait for completion of the selection operation. **SCANReady** must be used in order to verify the selected channel is closed and the scanner is ready for a new command. It is necessary for **SCANReady** to return **TRUE** once for proper operation. For instance, if the actuation time is set to 10ms, and a wait of 100ms is taken following the execution of the **SCANSelectChannelCmd**, it should not be assumed the scanner is ready. **SCANReady** must be used and return **TRUE** to proceed. **SCANReady** not only checks for readiness, but it also clears some registers in preparations for the next command.

<u>Parameter</u>	<u>Type/Description</u>
<i>iScan</i>	int Identifies the Scanner being addressed.

Return Value The return value is one of the following constants.

<u>Value</u>	<u>Meaning</u>
SCAN_OKAY	Operation successfully completed.
Negative Value	Error code

Example

```
SCANStepCmd(0);
DMMSetRange(0,3V) //Set DMM to appropriate range
DMMRead(0, &Val); //Flush a reading or two
While( ! SCANReady(0)); // Wait for Scanner to be ready
DMMRead(0, &reading); // Read input
```

SCANTerminate

H/W access Command Polled Command

Description Terminate Scanner's operation, and removes it from PCI configuration.

```
#include "SM4040.H"
```

```
int SCANTerminate(int iScan)
```

Remarks This function opens all relays of the selected Scanner, then removes it from the PCI structure. To use this Scanner again, it is necessary to either, exit the thread, or reinitialize it. It is not necessary to use this function since exiting the thread will automatically terminate the scanner. Following the termination operation, the scanner is not accessible.

<u>Parameter</u>	<u>Type/Description</u>
<i>iScan</i>	int Identifies the Scanner being addressed.

Return Value The return value is one of the following constants.

<u>Value</u>	<u>Meaning</u>
SCAN_OKAY	Operation successfully completed.
Negative Value	Error code

Example

```
status = SCANTerminate(0); // Terminate scanner #0
```

SCANTestChanIntegrity

H/W access Command Polled Command

Description Test a channel relay for integrity.

```
#include "SM4040.H"
```

```
int SCANTestChanIntegrity(int iSca, int iChan)
```

Remarks This function tests a single channel relay. The procedure closes a single relay, waits for *tActuation*, and then checks that both contacts are closed. Next it opens the relay, waits for 1/2 of *tActuation*, and then checks if the relay is open. A bounce following contact closure and opening is not verified. This test operation is fast, but it is very thorough. Use the **SCANTestChannelRelay** and **SCANTestConfigRelay** operations for a more comprehensive test. The test connector must be in place to perform this test. Following the completion of this test, the scanner is left in the *Disabled* configuration.

<u>Parameter</u>	<u>Type/Description</u>
<i>iScan</i>	int Identifies the Scanner being addressed.

iChan **int** Identifies the Channel relay to be tested.

Return Value The return value is one of the following constants.

<u>Value</u>	<u>Meaning</u>
SCAN_OKAY	Operation successfully completed.
Negative Value	Error code

Example `SCANTestChanIntegrity(0,1); // test Chan1 relay`

SCANTestChannelRelay

H/W access Command Polled Command

Description Test a channel relay.

```
#include "SMX4032.H"  
#include "ScanUser.H"
```

```
int SCANTestChannelRelay(int iScan, int iChan, doulbe * lpdBounce)
```

Remarks This function tests a single channel relay. Its diagnostics include excessive bounce and open and short failures. If no failure, the Actuation time of the relay, including bounce time, *lpdBounce*, is returned. This value maybe used to fine-tune the Scanner for maximum switching performance by setting the Actuation time using **SCANSetActuationTime**. The Channel parameter can be a value between 1 and 40. The SM40L test connector is required to execute this procedure. Following the completion of this test, the Scanner is left in the *Disabled* configuration.

<u>Parameter</u>	<u>Type/Description</u>
<i>iScan</i>	int Identifies the Scanner being addressed.
<i>lpdBounce</i>	Doulbe * Pointer where the bounce time value is to be saved.
<i>iChan</i>	int Identifies the Channel relay to be tested (1 to 40)

Return Value Integer error code.

<u>Value</u>	<u>Meaning</u>
SCAN_OKAY	Operation successfully completed.
Negative Value	Error code

Example `SCANTestChannelRelay(0, 4); // test Chan4`

SCANTestConfigRelay

H/W access Command Polled Command

Description Set the RTD parameters.

```
#include "SM4040.H"  
#include "ScanUser.H"
```

```
int SCANTestConfigRelay(int iScan, int iConf, double * lpdBounce)
```

Remarks This function tests a single configuration or tree relay. Its diagnostics include excessive bounce and open and short failures. If no failure, the Actuation time of the relay, including bounce time, is stored at a location pointed to by *dtActuate*. This value can be used to fine-tune the Scanner for maximum switching performance by setting the highest Actuation time using **SCANSetActuationTime**. The *iConf* parameter can be set to one of; AtoA, BtoA, BtoB, CtoA, CtoC, DtoA, DtoC or DtoD for the SM4040 and SM4042. For the SM4020 and SM4022, the *iConf* parameter is limited to AtoA, BtoA, or BtoB. See the *ScanUser.h* file for definitions. The test connector is required to execute this procedure. Following the completion of this test, the Scanner is set to the *Disabled* configuration.

<u>Parameter</u>	<u>Type/Description</u>
<i>iScan</i>	int Identifies the Scanner being addressed.
<i>lpdBounce</i>	Double * Pointer where the bounce time value is to be saved.
<i>iConf</i>	int Identifies the configuration/tree relay to be tested.

Return Value Integer error code.

<u>Value</u>	<u>Meaning</u>
SCAN_OKAY	Operation successfully completed.
Negative Value	Error code

Example `SCANTestConfigRelay(0, BtoA, &t); // test the BtoA relay`

SCANTrigAutoScan

H/W access Command Polled Command

Description Set Scanner for Triggered Auto Scan operation.

```
#include "SM4040.H"
```

```
int SCANTrigAutoScan(int iScan, int iPoints)
```

Remarks This is the externally triggered version of **SCANAutoScan** operation. Following acceptance of this command, the Scanner enters a wait state, whereby it waits for a trigger edge to start an Auto Scan operation. Trigger edge is whatever was previously selected using the **SCANTriggerOutState**. Being a polled operation, it requires **SCANReady** to return TRUE as indication of completion. Do not issue new command until **SCANReady** returns TRUE. An exception is the **SCANAbort**, which terminates this operation. Keep in mind that the last channel selected is left closed. See **SCANAutoScan** for details.

<u>Parameter</u>	<u>Type/Description</u>
<i>iScan</i>	int Identifies the Scanner being addressed.

iPoints **int** Indicates the number of points in the scan.

Return Value The return value is one of the following constants.

<u>Value</u>	<u>Meaning</u>
SCAN_OKAY	Function succeeded.
Negative Value	Error code

Example `SCANtriggerOutState(0,ENABLED, POSITIVE); //positive edge`
`CANTrigAutoScan(0, 20); // set off 20 point scan.`

SCANTriggerInState

H/W access Command Polled Command

Description Set trigger input state.

```
#include "SM4040.H"  
#include "ScanUser.H"
```

```
int SCANTriggerInStete(int iScan, int iState, int iEdge)
```

Remarks This function sets the scanner's trigger input state and active edge. Default is DISABLED and POSITIVE. If *iState* is set to ENABLED, the trigger input line is enabled. If *iEdge* is set to POSITIVE, Positive Edge will activate operations. See definitions in ScanUser.H file.

<u>Parameter</u>	<u>Type/Description</u>
<i>iScan</i>	int Identifies the Scanner being addressed.
<i>iState</i>	int Indicates the enabled state of the trigger input line. May be set to ENABLED or DISABLED.
<i>iEdge</i>	int Indicates the active trigger edge for the trigger input line. May be set to POSITIVE or to NEGATIVE.

Return Value The return value is one of the following constants.

<u>Value</u>	<u>Meaning</u>
SCAN_OKAY	Function succeeded.
Negative Value	Error code

Example `SCANtriggerInState(0, ENABLED, POSITIVE) // set Trig-in line`

SCANTriggerOutState

H/W access Command Polled Command

Description Set trigger output state.

```
#include "SM4040.H"  
#include "ScanUser.H"
```

```
int SCANTriggerOutStete(int iScan, int iState, int iEdge)
```


Remarks

This function sets the scanner's trigger output line state and polarity. Default is DISABLED and POSITIVE. If *iState* is set to ENABLED, the trigger output is enabled, which reflects in its activity during channel selection and during scanning operations. With *iEdge* set to POSITIVE, the trigger output polarity will be positive, which means that a positive edge on the trigger output line indicates a channel selection ready. See definitions in ScanUser.H file.

<u>Parameter</u>	<u>Type/Description</u>
<i>iScan</i>	int Identifies the Scanner being addressed.
<i>iState</i>	int Indicates the enabled state of the trigger output line. It may be set to ENABLED or DISABLED.
<i>iEdge</i>	int Indicates the active edge for the trigger output line. It may be set to POSITIVE or to NEGATIVE.

Return Value The return value is one of the following constants.

<u>Value</u>	<u>Meaning</u>
SCAN_OKAY	Function succeeded.
Negative Value	Error code

Example `SCANTriggerOutState(0, ENABLED, POSITIVE) //set Trig out`

SCANTrigScan

H/W access Command Polled Command

Description Set Scanner for trigger driven step scanning.

```
#include "SM4040.H"
```

```
int SCANTrigScan(int iScan, int iPoints)
```

Remarks

Setup for a hardware-triggered step scanning operation. *iPoints* is the number of points in the scan. The ScanList must be pre-loaded prior to issuing of this command. After receiving this command, the Scanner enters a wait state whereby each selected edge on the trigger input line, selects the next channel from the scan list table. It begins with location 0 of the ScanList and scans a total of *iPoints*. Zero value in scan list opens all channels, which is used for involving multiple scanners in the scanning process. This way a single scan can include points from several scanners. Up to 192 point may be set per scan. This process is completed when *iPoints* have been scanned (*iPoints* trigger edges received). This is a polled operation. It is issued, and then monitored for completion using the **SCANReady**. It requires **SCANReady** to return TRUE as indication of completion. Do not issue new command until **SCANReady** returns TRUE. An exception is the **SCANAbort**, which terminates this operation. See **SCANStep** and **SCANSetupStep** for additional information. Parameters effecting the operation include the set configuration, the Actuation time, and trigger input polarity and enable state.

<u>Parameter</u>	<u>Type/Description</u>
<i>iScan</i>	int Identifies the Scanner being addressed.
<i>iPoints</i>	int The total number of points in the scan

Return Value The return value is one of the following constants.

<u>Value</u>	<u>Meaning</u>
SCAN_OKAY	Operation successfully completed.

Negative Value Error code

Example SCANTrigScan(0,150); //150 H/W driver scan operation

6.0 Accessories

Several accessories are available for the SM4000 relay Scanners, which may be purchased directly from *Signametrics* or one of its distributors or representatives. Please see the 'Accessories' section on our web-site for the current accessories available: <http://www.signametrics.com>

The following 96 position Female connectors are sourced from a large number of manufactureres, and are all DIN41612 Type "C"

- *Signametrics* SM40 - Terminal Block. 40 channel screw terminal block, which plugs in to the scanner's 96 pin DIN connector.
- *Signametrics* SM40T - Isothermal Terminal Block for Thermocouples. Applicable for the SM4042 model only. 40 channel screw terminal block with reference junction temperature sensor for Thermocouple temperature measurements. Operates in conjunction with the SM2040, SM2042, SM2044, SMX2040 and SMX2044 DMMs. It plugs into the scanner's 96 pin DIN connector.
- *Signametrics* SM40L – Loop back test connector. Required for self tests and contact cleaning operations.
- Female 96 position mating connector with solder tabs: Erni 913152, 543202, Conec 122A10359X, Elco/Avx 20 8457096 009 25.
- Female 96 position mating connector with crimp connection: Erni 024069 (housing), 014748 (crimps), Elco/Avx 60 84643014 00 000 (housing), 20 84640213 00 657 (crimps).
- Female 96 position right angle mating PCB solder connector: Molex 85052-0311, Conect 122A10859X.

7.0 Warranty and Service

The SM4000 series Scanners are warranted for a period of one year from the date of purchase. This warrantee does not include relay wear or damage.

If your unit requires repair, contact your *Signametrics* representative. There are no user serviceable parts within the SM4000 Scanners. Removal of any of the four external shields will invalidate your warranty. For in-warranty repairs, you must obtain a return materials authorization (RMA) from *Signametrics* prior to returning your unit.

